


KEEP
LIFE
SIMPLE



PRODUCT
CATALOGUE

 Proudly Indian



About us

Kript pharmaceuticals pvt Ltd was established with the motive of adding values to the million of lives through its best quality products , we are here for the people as we serve in the pursuit of their healthy lives . We nurture innovation , offers excellent quality and always stretches to inspire confidence in our customer . Our primary objective is to provide high end medical products. At kript pharmaceuticals, we believe in weaving business ethics in all our endeavours and continually updating and upgrading to deliver a uniform quality that surpasses industry benchmarks .

Kript Pharmaceuticals Pvt. Ltd. is a renowned name in the healthcare industry, having the vision to become the next reliable name as an OEM of Hospital furniture & OT Equipment. Our products are ISO-9001, 14001, 13485, 18001, WHO-GMP, BIFMA & CE Certified Company. Our Products are supplied all over the India in Govt. & Private Hospitals Nursing Homes & Medical colleges. We are also exporting to multiple hospitals globally. We are equipping brand new hospitals with our equipments.

We are one stop source for premium quality & cost effective products that are complaint to most of the globally accepted standards of quality. Apart from our standard products, we are equipped enough to manufacture on demand products as per desired specification. We have been able to carve a niche for ourselves only because of the trust that our customers have on us because of the quality that we offer & will continue our endeavour to offer par excellent products. **Deals in:-**

	Hospital Beds	01
	Accessories for Hospital Beds	27
	Ward Equipments	29
	Dialysis Bed	32
	Patient Transfer Trolleys	33
	Delivery Beds	43
	Wheelchairs	47
	Examination Tables	48
	Ward/OPD/OT Equipments	51
	OT Tables & LED OT Lights	62
	Modular OT	63

KP-3001

ICU Bed Electric



KP-3001 (WS)



KP-3001 (EM)



KP-3001 (ST)

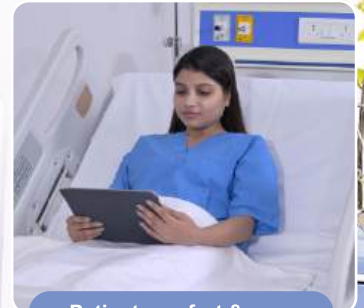


KP-3001

High Safety Standards for quick recovery



Increased Safety



Patient comfort & care



Caregiver's greater ease



Effective height of side rails

ICU Patients need careful handling at every level: Physically, emotionally, mentally and medically, while in the ICCU and later, during recuperative period.

At Kript, We are committed to ensuring safe, comfortable healthcare interaction that help shorten the healing time and expedite patient recovery.

KP-3001

ICU Bed Electric

Technology for Greater Comfort



Bed Position and Weight Monitoring Console: The Panel displays readings for weight management auto compensation single touch cardiac chair position, single touch auto contour position and safety key sensor. (Optional)



Bed Exit Alarm: This safety feature helps to avoid patient fall. The alarm rings if patient weight is not sensed on the bed, so that the nurse can check on the patient. (Optional)



Digital Angle Indicator: Provides accurate angle measurement of the bed position. (Optional)

Safety



Full Coverage Safety Side Railings: For increased patient safety. Side railing height is compatible with air mattress, height of side rail is 400mm



Removable Plastic Headboard and Footboard: For easy cleaning or incase of emergencies.



Separate Angle Indicators for All 4 Side Railings: caregiver has access to angle reading of bed at all times, help in achieving safe position for patient.



Embedded Patient Control Panel (Optional): The patient and nurse can use the control panel to independently adjust their position.



Wired Care Giver Control Panel / ACP: It allows them to easily achieve positions as well single touch cardiac chair position, emergency head down position and auto CPR function.



Locking Mechanism: All positions can be locked individually by ACP except the auto CPR.



Corner Buffer: Keep the bed safe, provide protection again collisions during shifting of bed.

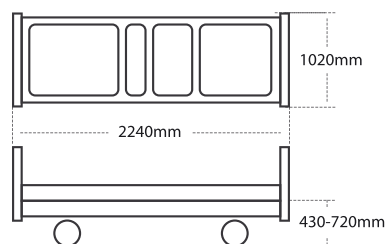


Adequate Under Bed Clearance: The optimum under bed clearance ensure unobstructed placement of medical equipment under the bed. ease of bed maintenance.



Zero Entrapment Zone: IEC-60601-2-52 safety standards compliant, ensures body parts of care givers and patients are safe at all times.

Technical Specification



Product Specification	KP - 3001 (WS)	KP - 3001 (EM)	KP - 3001
Overall Dimension (LxW)*	2320x1030mm	2240x1020mm	2240x1020mm
Mattress Platform (LxW)*	2020x900mm	1950 x 900mm	1950 x 900mm
Height Range (without mattress)*	460-760mm	430-720mm	430-720mm
Backrest **	65°	70°	70°
Legrest **	35°	40°	40°
Trendlenburg**	0°-12°		
Reverse Trendlenburg**	0°-12°		
Castors Diameter *	125mm Central Locking Twin Wheels		
Safe working Load	250kgs	250kgs	250kgs
Patient Weight Bearing Capacity	200kgs	200kgs	200kgs
Patient Control	Embedded in Railings	Embedded in Railings	Wired Handset
Caregiver Control / ACP	Wired ACP		

Electrical Details

Power & Operating Range	Nominal 230 VAC; 100VAC-240VAC, 50/60Hz, Max 2A
Electrical Shock Protection	Class I, Type B
Liquid ingress Protection	IPx6

Safety Standards

General Safety for Medical Beds	IEC 60601-2-52
General Safety for Medical Electrical Equipment	IEC 60601-1-1
EMI/EMC	IEC 60601-1-2

Patient Focus



Allows for changing patient needs

Embedded Control Panel (Optional): Allows the patient to adjust the bed in more comfortable position.



Patient Remote Control: This wired remote control gives the patient better control over his/her bed positions and comfort.



Low Height Adjustment: The bed has a low height adjustment in which patient find it comfortable to place his/her feet on the ground. This also aids in early mobilization of ICU patients.

Caregiver Focus



Reduce Stress, Enhances Productivity

Single Touch Chair Position: Enables caregiver to bring patients to upright position quickly.



Emergency CPR Lever: Helps achieve flat position of backrest in emergency, from either side of the bed.



Single Touch Neuro Position

Ease of Manuverability



Shock Absorbent Rubber Buffer 125mm Dia



Twin Wheel 125mm Central Locking and Directional Lock

Other Features



Provision for IV Pole



Urine Bag Holder



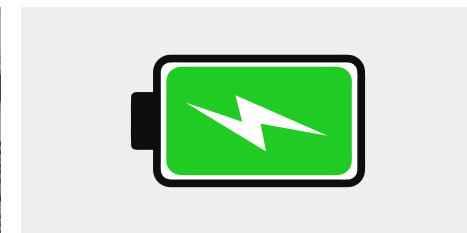
Manual Leg Elevation In case of DVT



Under Bed Light



ABS Wheel Dust Cover On Both Hands



Battery Backup

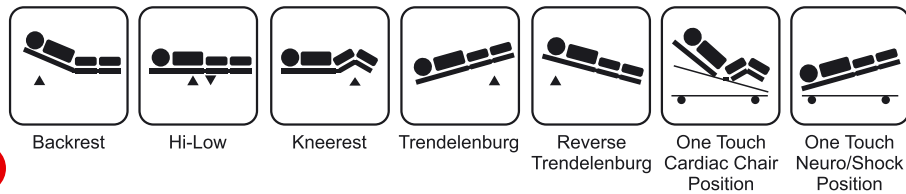
KP-3001

ICU Bed Electric

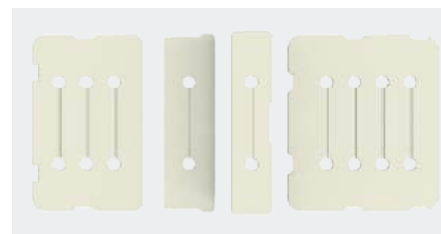
Description

- Motorised Backrest, Kneerest, Height Adjustment, Trendlenburg & Reverse Trendlenburg
- Angle indicator for backrest, Trendlenburg & Reverse trendlenburg placed on all side of railing's inner as well as outer.
- Full length polymer moulded split type safety side railings.
- Wired Handset with backlit (For KP-3001)
- Wired Nurse control panel (ACP)with individual locking Mechanism of position's
- One touch button for Neuro position / Emergency head down position
- One touch button for emergency CPR (For Zero position)
- One touch button for Chair position
- Polymer moulded Head and Foot panels, easily removable without using any tools.
- Four section metallic (CRCA) perforated top.
- 125 mm Central locking castors with directional lock
- ABS dust protective wheel cover on both ends
- Four corner's safety rubber buffer
- Dual Sided Manual CPR lever
- Under bed LED Light
- Urine bag holder
- Battery Backup
- Inbuilt SMPS
- SS IV Rod
- Embedded control panel for patient and caregiver (Available for KP-3001EM/3001WS)
- Weighing monitoring system in ACP (for KP-3001WS)
- Digital Angle indicator in ACP (for KP-3001WS)
- Bed Exit Alarm in ACP (for KP-3001WS)
- Pretreated & epoxy powder coated MS parts

Clinical Positions



Optional Accessories



Removable ABS Platform



X-Ray Backrest



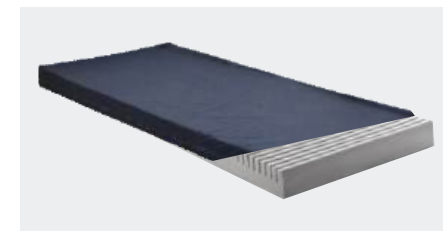
Bed Extension



Linen Holder



4 Section Mattress (KP-5001 C)



Premium Mattress (KP-5001 D)

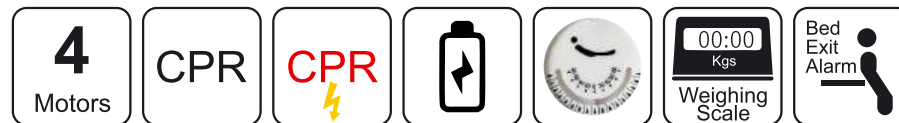


Slim Trolley for Bottom (KP-ST)



Head and Foot Boards (KP-P01)

Features



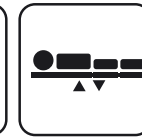
(For KP-3001 WS) (For KP-3001 WS)

KP-993

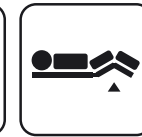
ICU Bed Electric



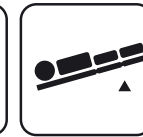
Backrest



Hi-Low



Kneerest



Trendelenburg



Reverse
Trendelenburg



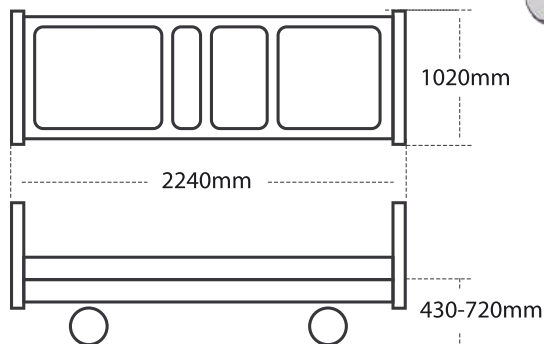
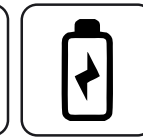
5
Functions



4
Motors



CPR
Manual



Safety



Full Coverage Safety Side Railings



Zero Entrapment Zone



Removable Plastic Headboard and Footboard



Separate Angle Indicators for All 4 Side Railings



Adequate Under Bed Clearance

Fine Details



Shock Absorbent Rubber Buffer 125mm Dia



Twin Wheel 125mm Central Locking and Directional Lock



Provision for IV Pole



Urine Bag Holder



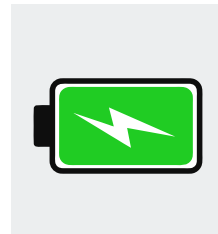
Manual Leg Elevation In case of DVT



Emergency CPR Lever



ABS Wheel Dust Cover On Both Sides



Battery Backup

Description

- Motorised Backrest, Kneerest, Height Adjustment, Trendlenburg & Reverse Trendlenburg
- Angle indicator for backrest, Trendlenburg & Reverse trendlenburg placed on all side of railing's inner as well as outer.
- Full length polymer moulded split type safety side railings.
- Wired Handset
- Polymer moulded Head and Foot panels, easily removable without using any tools.
- Four section metallic (CRCA) perforated top.
- 125 mm Central locking castors with directional lock
- ABS dust protective wheel cover on both ends
- Four corner's safety rubber buffer
- Dual Sided Manual CPR lever
- Urine bag holder
- Battery Backup
- Pretreated & epoxy powder coated MS parts

Overall Dimensions (LxW)* :	2240x1020mm
Mattress Platform (LxW)* :	1950x900mm
Height Range (w/o Mattress)*:	430-720mm
Backrest** :	70°
Kneerest** :	35°
Trendelenburg**:	12°
Reverse Trendelenburg**:	12°
Castors:	125mm Twin
Safe working Load:	250 kgs
Patient Weight bearing capacity:	200kgs
Patient Control:	Wired Handset
Power:	100VAC-240VAC, 50/60Hz
Electrical Shock protection:	Class1, Type B
Liquid ingress Protection:	IPX6
Safety Standards:	IEC 60601-2-52 IEC 60601-1-1 IEC 60601-1-2

* ±20mm Engineering Variation. ** ±2° Engineering Variation

Optional Accessories



Removable ABS Platform



X-Ray Backrest



Bed Extension



Linen Holder



4 Section Mattress (USI-5001 C)



Premium Mattress (USI-5001 D)



Slim Trolley for Bottom (USI-ST)



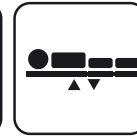
Head and Foot Boards (USI-P01)

KP-997

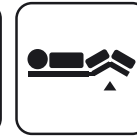
ICU Bed Electric



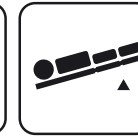
Backrest



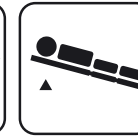
Hi-Low



Kneerest



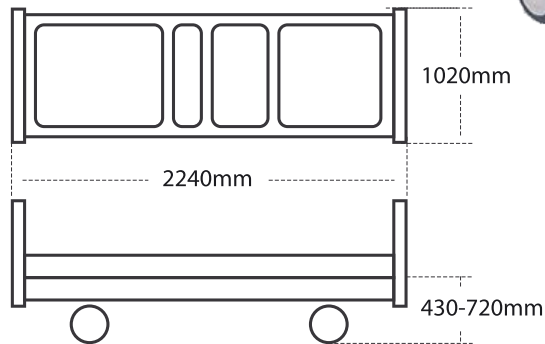
Trendelenburg



Reverse
Trendelenburg

4
Motors

5
Functions



Safety



Full Coverage Safety Side Railings



Zero Entrapment Zone



Removable Plastic Headboard and Footboard



Separate Angle Indicators for All 4 Side Railings



Adequate Under Bed Clearance

Fine Details



Shock Absorbent Rubber Buffer 125mm Dia



Twin Wheel 125mm Diagonal Locking Castors



Provision for IV Pole



Urine Bag Holder



Manual Leg Elevation In case of DVT

Description

- Motorised Backrest, Kneerest, Height Adjustment, Trendlenburg & Reverse Trendlenburg
- Angle indicator for backrest, Trendlenburg & Reverse trendlenburg placed on all side of railing's inner as well as outer.
- Full length polymer moulded split type safety side railings.
- Wired Handset
- Polymer moulded Head and Foot panels, easily removable without using any tools.
- Four section metallic (CRCA) perforated top.
- 125 mm Diagonal locking castors
- Four corner's safety rubber buffer
- Urine bag holder
- Inbuilt SMPS
- SS IV Rod with provision at 4 locations.
- Pretreated & epoxy powder coated MS parts

Overall Dimensions (LxW)* :	2240x1020mm
Mattress Platform (LxW)* :	1950x900mm
Height Range (w/o Mattress)*:	430-720mm
Backrest** :	70°
Kneerest** :	35°
Trendelenburg**:	12°
Reverse Trendelenburg**:	12°
Castors:	125mm Twin
Safe working Load:	250 kgs
Patient Weight bearing capacity:	200kgs
Patient Control:	Wired Handset
Power:	100VAC-240VAC, 50/60Hz
Electrical Shock protection:	Class1, Type B
Liquid ingress Protection:	IPX6
Safety Standards:	IEC 60601-2-52 IEC 60601-1-1 IEC 60601-1-2

* ±20mm Engineering Variation. ** ±2° Engineering Variation

Optional Accessories



Removable ABS Platform



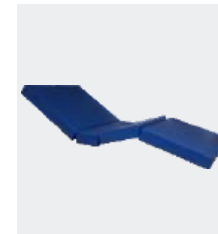
X-Ray Backrest



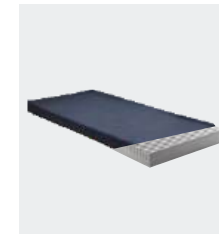
Bed Extension



Linen Holder



4 Section Mattress (KP-5001 C)



Premium Mattress (KP-5001 D)



Slim Trolley for Bottom (KP-ST)



Head and Foot Boards (KP-P01)

KP-992

ICU Bed Electric



Description

- Motorised Backrest, Kneerest, Height Adjustment obtained by wired handset
- Angle indicator for backrest placed on side of railing's inner as well as outer.
- Full length polymer moulded split type safety side railings.
- Polymer moulded Head and Foot panels, easily removable without using any tools.
- Four section metallic (CRCA) perforated top.
- 125 mm Diagonal locking twin castors
- Calf section manually operated
- Four corner's safety rubber buffer
- Urine bag holder
- Inbuilt SMPS
- SS IV Rod with Provision at 4 locations
- Pretreated & epoxy powder coated MS parts



* ±20mm Engineering Variation. ** ±2° Engineering Variation

Overall Dimensions (LxW)* :	2240x1020mm
Mattress Platform (LxW)* :	1950x900mm
Height Range (w/o Mattress)*:	450-750mm
Backrest** :	70°
Kneerest** :	40°
Trendelenburg**:	10°
Reverse Trendelenburg**:	10°
Castors:	125mm Twin
Safe working Load:	250kgs
Patient Weight bearing capacity:	200kgs
Patient Control:	Wired Handset
Power:	110VAC-240VAC, 50/60Hz
Electrical Shock protection:	Class 1, Type B
Liquid ingress Protection:	IPX6
Safety Standards:	IEC60601-2-52, IEC60601-1-1 IEC60601-1-2

Optional Accessories

- 4 Section Mattress (KP – 5001C)
- Single Section Premium Quality Mattress (KP-5001D)
- X-ray Translucent Top for Backrest with X-ray Cassette Holder Beneath Backrest. (KP-5008)
- Removable PP 4 Section Platform Tops.



Handset



IV Rod



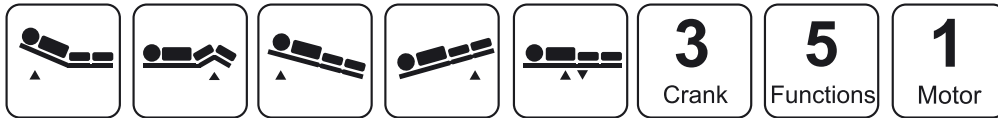
5" Castor,
2 with brakes



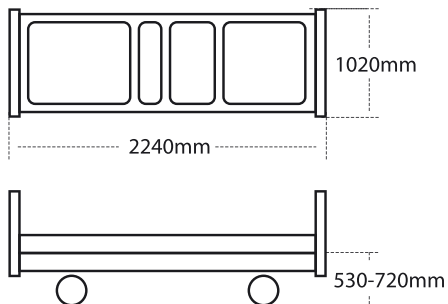
Available Colours for
Panel and Railing

KP-990

ICU Bed Semi Electric



Available Colours for Panel and Railing



Handset



Smooth Crank system with foldable handles



5" Castor, 2 with brakes



IV Rod

Description

- Motorised Backrest obtained by wired handset
- Manual positions obtained by separate smooth crank system with SS Foldable handle: Height, Kneerest, Trendelenburg / Reverse trendelenburg adjustments
- Angle indicator for backrest placed on side of railing's inner as well as outer.
- Polymer moulded split type safety side railings.
- Polymer moulded Head and Foot panels, easily removable without using any tools.
- Four section metallic (CRCA) perforated top.
- 125 mm Diagonal locking twin castors
- Calf section manually operated
- Four corner's safety rubber buffer
- Urine bag holder
- Inbuilt SMPS for electric position control
- SS IV Rod with Provision at 4 locations
- Pretreated & epoxy powder coated MS parts

Overall Dimensions (LxW)* :	2240x1020mm
Mattress Platform (LxW)* :	1950x900mm
Height Range (w/o Mattress)*:	530-720mm
Backrest** :	70°
Kneerest** :	40°
Trendelenburg**:	6°
Reverse Trendelenburg**:	7°
Castors:	125mm Twin
Safe working Load:	185kgs
Patient Weight bearing capacity:	150kgs
Patient Control:	Wired Handset
Power:	100VAC-240VAC, 50/60Hz
Electrical Shock protection:	Class 1, Type B
Liquid ingress Protection:	IPX6
Safety Standards:	IEC60601-2-52, IEC60601-1-1 IEC60601-1-2

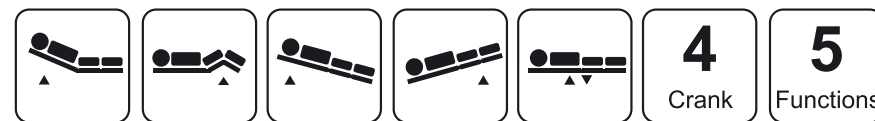
Optional Accessories

- 4 Section Mattress (KP – 5001C)
- Single Section Premium Quality Mattress (KP-5001D)

*±20mm Engineering Variation. ** ±2° Engineering Variation

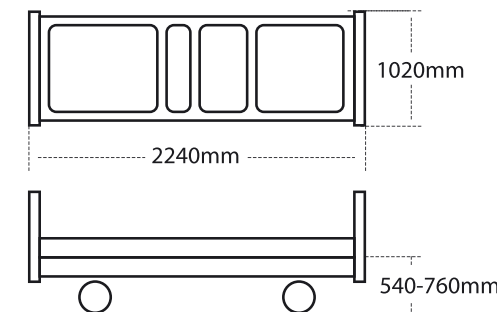
KP-943

ICU Bed Manual



Description

- Manual positions obtained by separate smooth crank system with SS Foldable handle: Backrest, Kneerest, Height, Trendelenburg / Reverse trendelenburg adjustments
- Angle indicator for backrest & trendelenburg placed on all side of railing's inner as well as outer.
- Polymer moulded split type safety side railings.
- Polymer moulded Head and Foot panels, easily removable without using any tools.
- Four section metallic (CRCA) perforated top.
- 125 mm Diagonal locking twin castors
- Calf section manually operated
- Four corner's safety rubber buffer
- Urine bag holder
- SS IV Rod with Provision at 4 locations
- Pretreated & epoxy powder coated MS parts



* ±20mm Engineering Variation. ** ±2° Engineering Variation

Overall Dimensions (LxW)* :	2240x1020mm
Mattress Platform (LxW)* :	1950x900mm
Height Range (w/o Mattress)*:	540-760mm
Backrest** :	70°
Kneerest** :	40°
Trendelenburg**:	6°
Reverse Trendelenburg**:	6°
Castors:	125mm Twin
Safe working Load:	185kgs
Patient Weight bearing capacity:	150kgs

Optional Accessories

- 4 Section Mattress (KP – 5001C)



Smooth Crank system with foldable handles



IV Rod



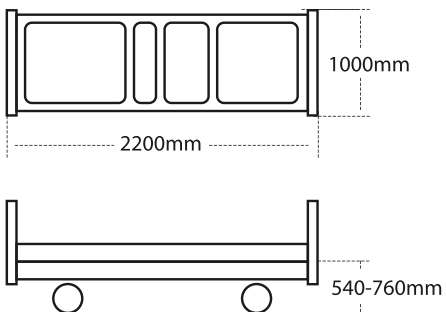
5" Castor, 2 with brakes



Available Colours for Panel and Railing

KP-963

ICU Bed Manual



Smooth Crank system with foldable handles



5" Castor, 2 with brakes



IV Rod

Description

- Manual positions obtained by separate smooth crank system with SS Foldable handle: Backrest, Kneerest, Height, Trendelenburg / Reverse trendelenburg adjustments
- Collapsible Stainless Steel Side Railings with aluminium Side Arms .
- Polymer moulded Head and Foot panels, easily removable without using any tools.
- Four section metallic (CRCA) perforated top.
- 125 mm Diagonal locking twin castors
- Calf section manually operated
- Four corner's safety rubber buffer
- Urine bag holder
- SS IV Rod with Provision at 4 locations
- Pretreated & epoxy powder coated MS parts

Overall Dimensions (LxW)* :	2200x1000mm
Mattress Platform (LxW)* :	1950x790mm
Height Range (w/o Mattress)*:	540-760mm
Backrest** :	70°
Kneerest** :	40°
Trendelenburg**:	6°
Reverse Trendelenburg**:	6°
Castors:	125mm Twin
Safe working Load:	185kgs
Patient Weight bearing capacity:	150kgs

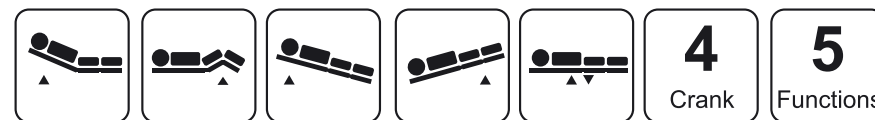
Optional Accessories

- 4 Section Mattress (KP – 5001C)

*±20mm Engineering Variation. ** ±2° Engineering Variation

KP-1001

ICU Bed Manual



Description

- Manual positions obtained by separate smooth crank system with SS Foldable handle: Backrest, Kneerest, Height, Trendelenburg / Reverse trendelenburg adjustments
- Collapsible Stainless Steel Side Railings with aluminium Side Arms .
- Stainless steel with laminated board Head and Foot panels, easily removable without using any tools.
- Four section metallic (CRCA) perforated top.
- 125 mm Diagonal locking twin castors
- Calf section manually operated
- Four corner's safety rubber buffer
- Urine bag holder
- SS IV Rod with Provision at 4 locations
- Pretreated & epoxy powder coated MS parts



Overall Dimensions (LxW)* :	2200x1000mm
Mattress Platform (LxW)* :	1950x790mm
Height Range (w/o Mattress)*:	540-760mm
Backrest** :	70°
Kneerest** :	40°
Trendelenburg**:	6°
Reverse Trendelenburg**:	6°
Castors:	125mm Twin
Safe working Load:	185kgs
Patient Weight bearing capacity:	150kgs

* ±20mm Engineering Variation. ** ±2° Engineering Variation



Available Colours for Panel and Railing



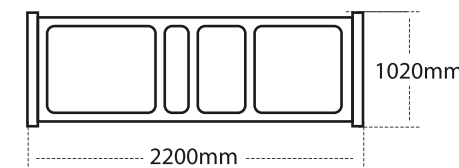
Smooth Crank system with foldable handles



IV Rod



5" Castor, 2 with brakes

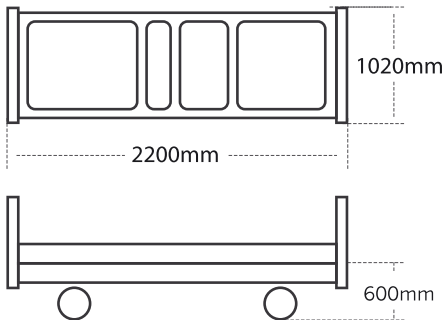


Optional Accessories

- 4 Section Mattress (KP – 5001C)

KP-984E

Fowler Bed Electric



Description

- Motorised Backrest & Kneerest Adjustment obtained by wired handset
- Angle indicator for backrest placed on side of railing's inner as well as outer.
- Polymer moulded split type safety side railings..
- Polymer moulded Head and Foot panels, easily removable without using any tools.
- Four section metallic (CRCA) perforated top.
- 125 mm Diagonal locking castors
- Calf section manually operated
- Four corner's safety rubber buffer
- Urine bag holder
- Provision of IV rod at 4 locations
- Pretreated & epoxy powder coated MS parts

Overall Dimensions (LxW)* :	2200x1020mm
Mattress Platform (LxW)* :	1950x900mm
Height Range (w/o Mattress)*:	600mm
Backrest** :	75°
Kneerest** :	40°
Castors:	125mm Single
Safe working Load:	185kgs
Patient Weight bearing capacity:	150kgs
Patient Control:	Wired Handset
Power:	100VAC-240VAC, 50/60Hz
Electrical Shock protection:	Class 1, Type B
Liquid ingress Protection:	IPX6
Safety Standards:	IEC60601-2-52, IEC60601-1-1 IEC60601-1-2

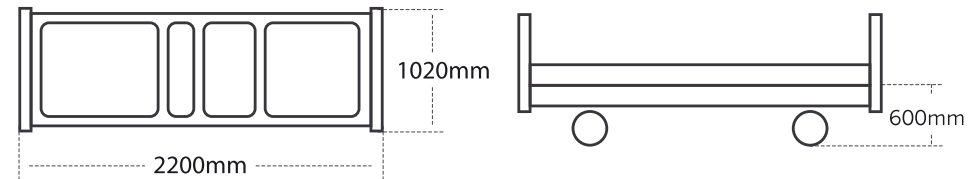
Optional Accessories

- 4 Section Mattress (KP – 5001C) .
- S.S. Telescopic I.V. Rod with 4 Hook's (KP-5002)

* ±20mm Engineering Variation. ** ±2° Engineering Variation

KP-984

Fowler Bed Manual



Description

- Manual positions obtained by separate smooth crank system with SS Foldable handle: Backrest & Kneerest adjustments
- Angle indicator for backrest placed on side of railing's inner as well as outer.
- Polymer moulded split type safety side railings..
- Polymer moulded Head and Foot panels, easily removable without using any tools.
- Four section metallic (CRCA) perforated top.
- 125 mm Diagonal locking castors
- Calf section manually operated
- Four corner's safety rubber buffer
- Urine bag holder
- Provision of IV rod at 4 locations
- Pretreated & epoxy powder coated MS parts



Overall Dimensions (LxW)* :	2200x1020mm
Mattress Platform (LxW)* :	1950x900mm
Height Range (w/o Mattress)*:	600mm
Backrest** :	80°
Kneerest** :	40°
Castors:	125mm Single
Safe working Load:	185kgs
Patient Weight bearing capacity:	150kgs

* ±20mm Engineering Variation. ** ±2° Engineering Variation

Optional Accessories

- 4 Section Mattress (KP – 5001C) .
- S.S. Telescopic I.V. Rod with 4 Hook's (KP-5002)



5" Castor,
2 with brakes



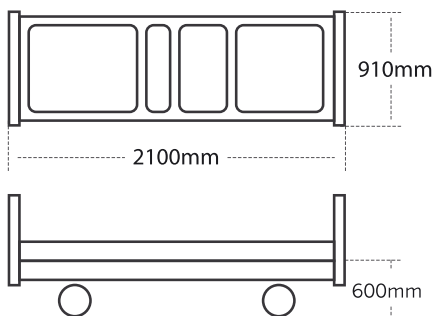
Smooth Crank system
with foldable handles



Available Colours for
Panel and Railing

KP-908

Fowler Bed Manual



Smooth Crank system with foldable handles



5" Castor, 2 with brakes

Description

- Manual positions obtained by separate smooth crank system with SS Foldable handle: Backrest & Kneerest adjustments
- Polymer moulded Head and Foot panels, easily removable without using any tools.
- Four section metallic (CRCA) perforated top.
- 125 mm Diagonal locking castors
- Calf section manually operated
- Urine bag holder
- Provision of IV rod at 4 locations
- Pretreated & epoxy powder coated MS parts

Overall Dimensions (LxW)* :	2100x910mm
Mattress Platform (LxW)* :	1950x790mm
Height Range (w/o Mattress)*:	600mm
Backrest** :	80°
Kneerest** :	40°
Castors:	125mm Single
Safe working Load:	185kgs
Patient Weight bearing capacity:	150kgs

* ±20mm Engineering Variation. ** ±2° Engineering Variation

Optional Accessories

- 4 Section Mattress (KP-5001C)
- S.S. Telescopic I.V. Rod with 4 Hook's (KP-5002)
- Collapsible Safety Side-Rails, Stainless Steel Pipe (KP-5020) / Aluminum (KP-5021) / Swing away SS or MS

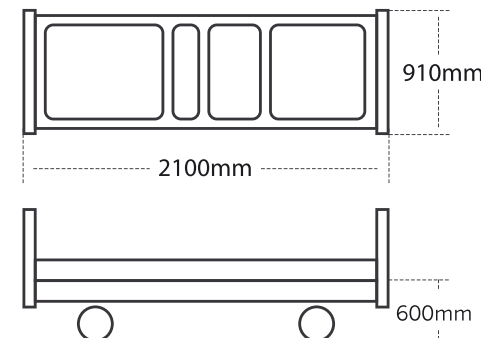
KP-1053

Fowler Bed Manual



Description

- Manual positions obtained by separate smooth crank system with SS Foldable handle: Backrest & Kneerest adjustments
- Stainless steel with Laminated board head and Foot panel, easily removable without using any tools.
- Four section metallic (CRCA) perforated top.
- 125 mm Diagonal locking castors
- Calf section manually operated
- Urine bag holder
- Provision of IV rod at 4 locations
- Pretreated & epoxy powder coated MS parts



Overall Dimensions (LxW)* :	2100x910mm
Mattress Platform (LxW)* :	1950x790mm
Height Range (w/o Mattress)*:	600mm
Backrest** :	80°
Kneerest** :	40°
Castors:	125mm Single
Safe working Load:	185kgs
Patient Weight bearing capacity:	150kgs

* ±20mm Engineering Variation. ** ±2° Engineering Variation

Optional Accessories

- 4 Section Mattress (KP-5001C)
- S.S. Telescopic I.V. Rod with 4 Hook's (KP-5002)
- Collapsible Safety Side-Rails, Stainless Steel Pipe (KP-5020) / Aluminum (KP-5021) / Swing away SS or MS



Smooth Crank system with foldable handles



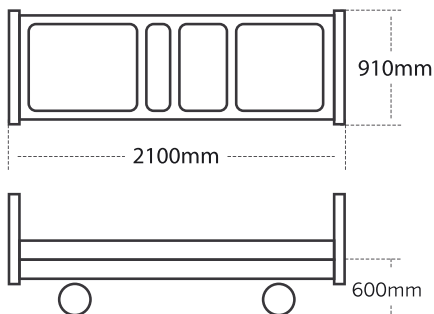
5" Castor, 2 with brakes



Available Colours for Panel and Railing

KP-1002

Fowler Bed Manual



Smooth Crank system with foldable handles



5" Castor, 2 with brakes

Description

- Manual positions obtained by separate smooth crank system with SS Foldable handle: Backrest & Kneerest adjustments
- M.S. Pipe head and Foot panel, easily removable without using any tools.
- Four section metallic (CRCA) perforated top.
- 125 mm Diagonal locking castors
- Calf section manually operated
- Urine bag holder
- Provision of IV rod at 4 locations
- Pretreated & epoxy powder coated MS parts

Overall Dimensions (LxW)* :	2100x910mm
Mattress Platform (LxW)* :	1950x790mm
Height Range (w/o Mattress)*:	600mm
Backrest** :	80°
Kneerest** :	40°
Castors:	125mm Single
Safe working Load:	185kgs
Patient Weight bearing capacity:	150kgs

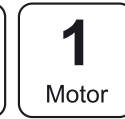
Optional Accessories

- 4 Section Mattress (KP-5001C)
- S.S. Telescopic I.V. Rod with 4 Hook's (KP-5002)
- Collapsible Safety Side-Rails, Stainless Steel Pipe (KP-5020) / Aluminum (KP-5021) / Swing away SS or MS

* ±20mm Engineering Variation. ** ±2° Engineering Variation

KP-965E

Semi-fowler Bed Electric



Available Colours for Panel

Description

- Motorised Backrest Adjustment obtained by wired handset
- Polymer moulded Head and Foot panels, easily removable without using any tools.
- Two section metallic (CRCA) perforated top.
- Bed mounted on PVC Stumps/ shoes
- Urine bag holder
- Provision of IV rod at 4 locations
- Pretreated & epoxy powder coated MS parts



Overall Dimensions (LxW) :	2100x910mm
Mattress Platform (LxW) :	1880x790mm
Height Range (without Mattress):	600mm
Backrest :	70°
Safe working Load:	225kgs
Patient Weight bearing capacity:	200kgs

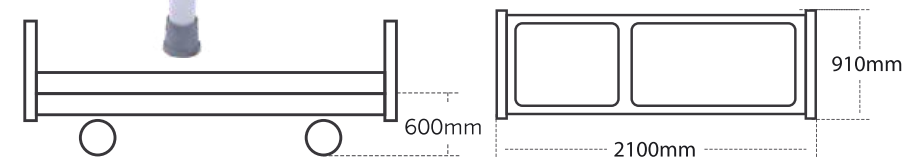
* ±20mm Engineering Variation. ** ±2° Engineering Variation

Optional Accessories

- 2 Section Mattress (KP-5001B)
- S.S. Telescopic I.V. Rod with 4 Hook's (KP-5002)
- Collapsible Safety Side-Rails, Stainless Steel Pipe (KP-5020) / Aluminum (KP-5021) / Swing away SS or MS
- 100mm (4") Diagonal locking Castors .



Handset



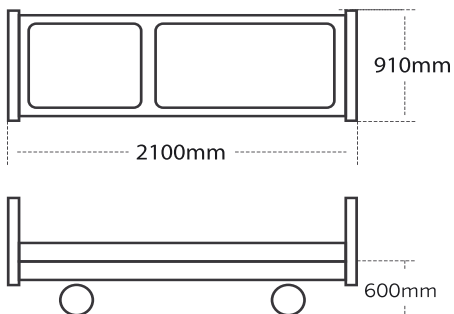
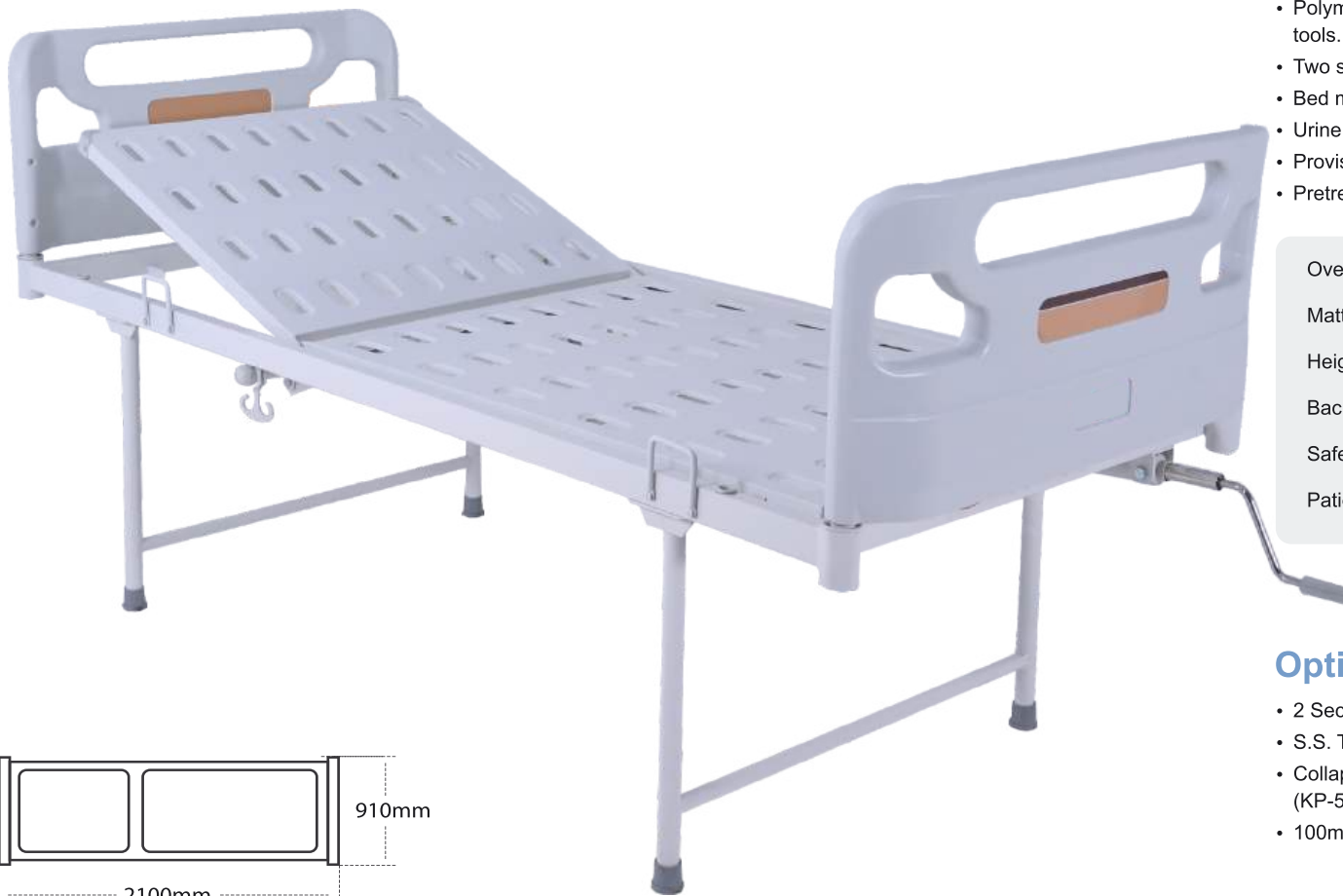


1
Crank

1
Functions

KP-965

Semi Fowler Bed Manual



Description

- Manual positions obtained by separate smooth crank system with SS Foldable handle: Backrest adjustments
- Polymer moulded Head and Foot panels, easily removable without using any tools.
- Two section metallic (CRCA) perforated top.
- Bed mounted on PVC Stumps/ shoes
- Urine bag holder
- Provision of IV rod at 4 locations
- Pretreated & epoxy powder coated MS parts

Overall Dimensions (LxW)* :	2100x910mm
Mattress Platform (LxW)* :	1880x790mm
Height Range (w/o Mattress)*:	600mm
Backrest** :	80°
Safe working Load:	225kgs
Patient Weight bearing capacity:	200kgs

Optional Accessories

- 2 Section Mattress (KP-5001B)
- S.S. Telescopic I.V. Rod with 4 Hook's (KP-5002)
- Collapsible Safety Side-Rails, Stainless Steel Pipe (KP-5020) / Aluminum (KP-5021) / Swing away SS or MS
- 100mm (4") Diagonal locking Castors



Available Colours for Panel



Smooth Crank system with foldable handles

* ±20mm Engineering Variation. ** ±2° Engineering Variation

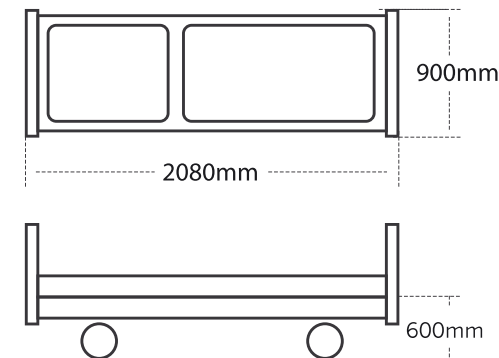
KP-1003

Semi-fowler Bed Manual



Description

- Manual positions obtained by separate smooth crank system with SS Foldable handle: Backrest adjustments
- Stainless steel with Laminated board head and Foot panel, easily removable without using any tools.
- Two section metallic (CRCA) perforated top.
- Bed mounted on PVC Stumps/ shoes
- Urine bag holder
- Provision of IV rod at 4 locations
- Pretreated & epoxy powder coated MS parts



Overall Dimensions (LxW)* :	2080x900mm
Mattress Platform (LxW)* :	1880x790mm
Height Range (w/o Mattress)*:	600mm
Backrest** :	80°
Safe working Load:	225kgs
Patient Weight bearing capacity:	200kgs



Smooth Crank system with foldable handles



Available Colours for Panel

* ±20mm Engineering Variation. ** ±2° Engineering Variation

Optional Accessories

- 2 Section Mattress (KP-5001B)
- S.S. Telescopic I.V. Rod with 4 Hook's (KP-5002)
- Collapsible Safety Side-Rails, Stainless Steel Pipe (KP-5020) / Aluminum (KP-5021) / Swing away SS or MS
- 100mm (4") Diagonal locking Castors

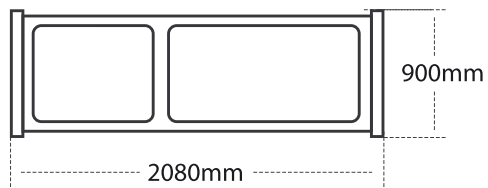
KP-1051

Semi-fowler Bed Manual



1
Crank

1
Functions



Description

- Manual positions obtained by separate smooth crank system with SS Foldable handle: Backrest adjustments
- MS Pipe head and Foot panel, easily removable without using any tools.
- Two section metallic (CRCA) perforated top.
- Bed mounted on PVC Stumps/ shoes
- Urine bag holder
- Provision of IV rod at 4 locations
- Pretreated & epoxy powder coated MS parts

Overall Dimensions (LxW)* :	2080x900mm
Mattress Platform (LxW)* :	1880x790mm
Height Range (w/o Mattress)*:	600mm
Backrest** :	80°
Safe working Load:	225kgs
Patient Weight bearing capacity:	200kgs

Optional Accessories

- 2 Section Mattress (KP-5001B)
- S.S. Telescopic I.V. Rod with 4 Hook's (KP-5002)
- Collapsible Safety Side-Rails, Stainless Steel Pipe (KP-5020) / Aluminum (KP-5021) / Swing away SS or MS
- 100mm (4") Diagonal locking Castors
- S.S. Head and Foot Panels.



Smooth Crank system with foldable handles

* +20mm Engineering Variation. ** +2° Engineering Variation

KP-1012

Plain Bed

Description

- M.S. Pipe head and Foot panel of unequal height with vertical tube support
- Plain metallic (CRCA) perforated top.
- Bed mounted on PVC Stumps/ shoes
- Provision of IV rod at 4 locations
- Pretreated & epoxy powder coated MS parts



Overall Dimensions (LxW)* :	2080x900mm
Mattress Platform (LxW)* :	1880x790mm
Height Range (w/o Mattress)*:	600mm
Safe working Load:	250kgs
Patient Weight bearing capacity:	200kgs

* ±20mm Engineering Variation ** ±2° Engineering Variation

Optional Accessories

- Plain Mattress (KP – 5001A)
- S.S. Telescopic I.V. Rod with 4 Hook's (KP-5002)
- Collapsible Safety Side-Rails, Stainless Steel Pipe (KP-5020) / Aluminum (KP-5021) / S.S. Swing Away
- 100mm (4") Diagonal locking Castors
- S.S. Head and Foot Panels.
- Mosquito Net Poles (KP-5004)

KP - 1011

Paediatric Bed



Description:

- M.S. Tubular Head and Foot Panels of unequal Height with Vertical Tube Support.
- Framework made-up of M.S. Tubes.
- Plain Platform Top made-up of Oval Perforated CRCA M.S. Sheet.
- Bed Mounted on PVC Stumps/ Shoes.
- Provision for IV Rod at 4 Locations.
- Full Length Drop Down Safety Side Rails both Sides.
- Finish: Pre-treated & Epoxy Powder Coated.

Dimensions (Approx.):

- Overall Size*: 1480L x 840W x 600H mm
- Platform Size*: 1370L x 760W

Optional Accessories:

- Plain Mattress (KP – 5001A)
- S.S. Telescopic I.V. Rod with 4 Hook's (KP-5002)
- 100mm (4") Diagonal locking Castors
- S.S. Head and Foot Panels.

KP - 1064

Attendant Bed



Description:

- Framework made of Rectangular / Square M.S. Tube.
- 50 mm (2") Foam Padded Fixed Mattress Covered with Good Quality Rexine.
- Legs fitted with PVC stumps / Shoes.
- Finish: Pretreated & Epoxy Powder Coated.
- Overall Size*: 1840L x 600W x 500H MM

KP - 1010

Attendant Bed Cum Chair (Std.)



Description:

- Framework made of M.S. Tube.
- Fabric is pressed with artificial Leather.
- Legs fitted with PVC stumps / Shoes.
- Pull-out Design for easy Transforming Chair into bed
- Finish: Pretreated & Epoxy Powder Coated.
- Overall Bed position*: 1870L x 630W x 400H MM.

Accessories of Hospital Beds

KP - P01

Heavy ABS Head and Foot Panel with Board



KP - P03

SS Head and Foot Panel with Laminated Board



KP - P02

ABS Head and Foot Panel



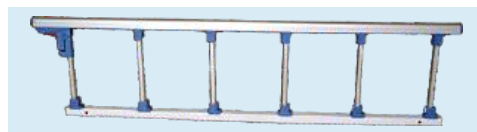
KP - P04

MS Head and Foot Panel



KP - 5021

Aluminum Side Railings Collapsible



KP - 818 (B)

ABS Tuck Away Railing

Made of PP 1pcs (Medium)



KP- 5020

SS Side Railings Collapsible

Made of horizontal tubes fixed to aluminium alloy end brackets, easily detachable. 2pcs. in 1 set.



KP - 5022

Side Railing Swing Away (SS/MS)



KP - 818 (A)

ABS Tuck Away Railing

Made of PP 1pc (Large)



KP- 818 (C)

ABS Tuck Away Railing

Made of PP 1pcs (Small)



KP - 5023

Side Railings Collapsible



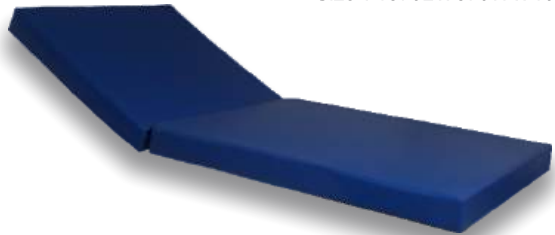
KP - 5001

Mattress for hospital beds



A - Single Mattress for Plain Bed / Pediatric Bed
Antibacterial & Antifungal foam covered with rexin.

Size*: 1870L x 870W x 100H mm



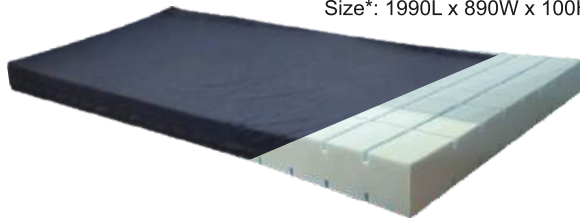
B - 2 Section Mattress for Semi – Fowler Beds
Antibacterial & Antifungal foam covered with rexin.

Size*: 1990L x 880W x 100H mm



C - 4 Section Mattress for ICU Beds / Fowler Beds
Antibacterial & Antifungal foam covered with rexin.

Size*: 1990L x 890W x 100H mm



D - Single Section Premium Quality Mattress
Antibacterial & Antifungal foam covered with rexin.
Size*: 1940L x 890W x 100H mm

KP - 5004

Mosquito Net Poles

Four vertical M.S. tubes of 19mm, Two longitudinal & two transverse tubes of 15.8mm. Epoxy powder coated.



KP - 5013

Anti-Decubitus Mattress (lattice Style)

Features:

- It is simple in structure, easy in operation and is better in prevention and cure of bed sores.
- Provided with air pump.
- 2 inches thickness



KP- 5005

Balken Beam Frame

Made from SS vertical, longitudinal and transverse tubes with clamps and pulleys (without bed).



* ±50mm Engineering Variation.

KP - 5002

I.V. Rod For Hospital Bed

Telescopic type adjustable S.S.I.V. Rod. locked with knob and provided with 4 hooks.



KP - 5006

Lifting Pole

SS tubular pole fitted with hand grip. Easily fitted back side of the head bows.



KP - 5009

Patient Case Sheet Holder

Made from Aluminium/ABS sheet



KP- 5008

X-Ray Permeable Back Rest Section

with S.S. X-Ray cassette holder on sliding mechanism



Ward Equipments

KP - 1017 (Plus) Bedside Locker

Description:

- Locker made from machine pressed CRCA sheets enclosed on three sides.
- Having one box and one drawer, fitted with membrane wooden top with raised edges, drawer front and cabinet door.
- Mounted on 50 mm (2") wheels at rear and front.
- Finish: Pretreated & Epoxy Powder Coated.
- Overall Size*: 400L x 400W x 850H mm



Available Colours

KP - 1017 Bedside Locker

Description:

- Locker made from machine pressed CRCA sheets enclosed on three sides.
- Having one box, one front open space and one drawer, fitted with membrane wooden top with raised edges, drawer front and cabinet door.
- Mounted on 50 mm (2") wheels at rear and 2pcs PVC stumps/shoes in front.
- Finish: Pretreated & Epoxy Powder Coated.
- Overall Size*: 400L x 400W x 850H mm



KP - 949 Bedside Locker (ABS)

Description:

- ABS Body Bed side locker with cupboard and drawer with ABS Top.
- Mounted on 50 mm (2") wheels.
- Towel Stand available both sides.
- Available in knock down construction.
- Overall Size*: 480L x 480W x 800H mm.



KP - 1018 Bedside Locker (Dlx.)

Description:

- Locker made from machine pressed CRCA sheets enclosed on three sides.
- Having one box, one front open space and one drawer, fitted with die pressed, Seamless, Stainless steel top with seamless raised edges on three sides.
- Mounted on 50 mm (2") wheels at rear and Rubber shoe at front.
- Finish: Pretreated & Epoxy Powder Coated.
- Overall Size*: 410L x 410W x 840H mm.



KP - 1019 Bedside Locker (Std.)

Description:

- Locker box made from machine pressed CRCA sheets enclosed on three sides.
- Having one box and fitted with die pressed, Seamless, Stainless steel top with seamless raised edges on three sides.
- Open storage between the drawer and the top.
- Legs Mounted on PVC stumps / Rubber shoe.
- Finish: Pretreated & Epoxy Powder Coated.
- Overall Size*: 410L x 410W x 810H mm.



KP - 948

Overbed Table (Pneumatically Adjustable)

Description:

- Single section ABS Top with raised edges on all sides.
- Aluminum extruded telescopic section fitted with gas spring for height adjustable from approx. 790mm to 1070mm.
- Mild Steel base frame covered with durable high impact ABS base cover
- Mounted on 50 mm (2") wheels.
- Finish: Pretreated & Epoxy Powder Coated.
- Available in knock down construction.
- Overall Size*: 890L x 435W x 790 - 1070H mm.
- Top Size*: 880L X 435W X 28H mm.



KP - 1068

Overbed Table (Gear Handle Adjustable)

Description:

- Single section ABS Top with raised edges on all sides.
- Aluminum extruded telescopic section fitted with smooth gear mechanism for height adjustable from approx. 825mm to 1180mm.
- Mild Steel base frame covered with durable high impact ABS base cover
- Mounted on 50 mm (2") wheels.
- Finish: Pretreated & Epoxy Powder Coated.
- Available in knock down construction.
- Overall Size*: 1000L x 435W x 825 - 1180H mm
- Top Size*: 880L X 435W X 28H mm



KP - 1021

Overbed Table (By Knob Adjustable)

Description:

- Single section ABSTop with raised edges on all sides.
- Telescopic Rectangular Frame work for height adjustable through knob from approx. 750mm to 1050mm
- Mounted on 50 mm (2") wheels.
- Finish: Pretreated & Epoxy Powder Coated.
- Overall Size*: 1000L x 435W x 750 - 1050H mm
- Top Size*: 880L X 435W X 28H mm



KP - 1020

Overbed Table (Fixed)

Description:

- Single section ABS Top with raised edges on all sides.
- Tubular Framework Mounted on 50 mm (2") wheels.
- Finish: Pretreated & Epoxy Powder Coated.
- Overall Size*: 1060L x 435W x 1060H mm.
- Top Size*: 880L X 435W X 28H mm.





KP-1062

Dialysis Bed (Electric)



Description

- Advance Liner actuator system with IP54 Liquid splash protection (03 pcs. Motor, 01 pcs. Control box, 01 pcs. Handset)
- Tubular framework mounted on 125mm (5") Diagonal Locking castors.
- Three-section Platform top with fixed high density Mattress.
- Electric Positions Obtained/Function's by Patient Hand Remote: Backrest, Knee rest & Hi – Low.
- S.S Telescopic I.V. Rod with 4 hooks
- Provided with adjustable handrest on both sides & S.S. Laminated Foot panel.
- Finish: Pretreated and epoxy powder coated.

Overall Dimensions (LxW)* :	1920x670mm
Stretcher Dimensions (LxW)* :	600mm
Height Range (w/o Mattress)*:	670mm - 940mm
Backrest** :	75°
Legrest** :	60°
Trendelenburg**:	10°
Reverse Trendelenburg**:	7°
Castors:	125mm Central Locking Twin
Safe working Load:	160kgs
Patient Weight bearing capacity:	140kgs
Power:	100VAC-240VAC, 50/60Hz

Optional Accessories

- Adjustable MS Tray
- Attachment for TV



5" Central Locking Casters



Adjustable Pillow



Adjustable Armrest



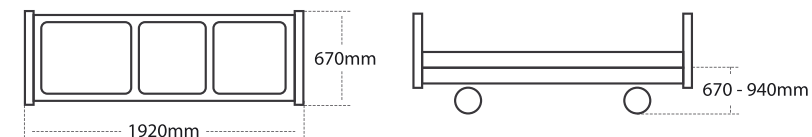
Handset



IV Rod



Head Panel



* ±20mm Engineering Variation. ** ±2° Engineering Variation

Ward Equipments

KP - 1039 Infusion Stand

Description:

- Stainless Steel Pipe & Base fitted with 75mm (3") castors.
- Provided with 5 Power cords and one Junction box.
- Supplied in Knock down Construction.



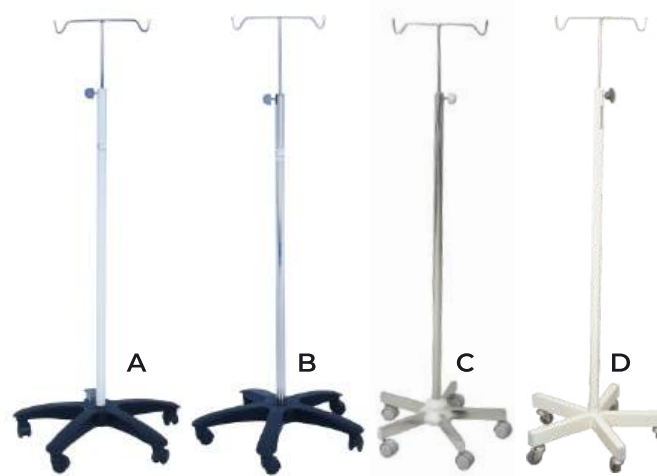
KP - 1037 I.V. Stand

Description:

- Five Pronged Base fitted with 50mm (2") castors.
- 12 mm Inner S.S.Rod with Double Hook.
- Height Adjustable from 1280 – 2220 mm
- Supplied in Knock down Construction

Available Models:

- (A) M.S. Pipe with Plastic Base
- (B) S.S. Pipe with Plastic Base
- (C) S.S. Pipe with S.S. Base
- (D) M.S. Pipe with M.S. Base



KP - 1046 Wash Basin Stand (Single)

Description:

- Five legs base mounted on 5cms dia castors.
- Basin holder SS tube made of 16mm x 18G . Provided with one approx. 35 cms S.S. Basin
- Vertical SS tube made of 25mm x 18G
- Finish: Stainless Steel frame with Stainless Steel Basin.



KP - 1027 Bed Side Screen (4 Panels)

Description:

- M.S. Tubular framework made of 19mm x 18G in Four section.
- Legs made of 25mm x 18G mounted on 5 cms castors with hooks and spring wire along with curtains.
- Each span 610mm wide.
- Finish: Pre-treated and Epoxy Powder Coated
- Overall Size : 1680H x 2450L mm.



KP - 1028 Bed Side Screen (3 Panels)

Description:

- M.S. Tubular framework made of 19mm x 18G in three section.
- Legs made of 25mm x 18G mounted on 5 cms castors with hooks and spring wire along with curtains.
- Each span 810mm wide.
- Finish: Pre-treated and Epoxy Powder Coated
- Overall Size : 1680H x 2450L mm



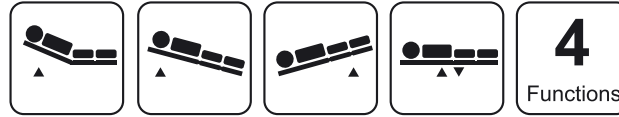
KP - 1044 Wash Basin Stand (Double)

Description:

- Five legs base mounted on 5cms dia castors.
- Basin holder SS tube made of 16mm x 18G . Provided with Two approx. 35 cms S.S. Basin
- Vertical SS tube made of 25mm x 18G
- Finish: Stainless Steel frame with Stainless Steel Basin



Patient Transfer TROLLEYS



KP-E8 Emergency Stretcher Trolley

Description

- Foot operated Hydraulic System mechanism by stepping on the pedal located on both sides of stretcher for Hi – Low, Trendelenburg & Reverse Trendelenburg adjustments.
- Smooth Pneumatic mechanism to raise Backrest.
- Two section X-Ray permeable Platform Top along with Suitable Mattress of (4”).
- Two Pieces Individual Detachable Collapsible Safety Side-Rails with safety lock, Stainless Steel Pipe
- Provided with Push/Driving Handle on the head end for smoothing the way of movement conveniently and can be stored while not in use.
- Tubular M.S. Framework mounted on 200 mm (8”) Central Locking Castors
- Bottom Cover with Storage bin.
- Corner buffer provided at 4 locations.
- Urine bag holder provided at both sides.
- S.S. Telescopic I.V. Rod with 4 Hook's (USI-5002) & provision on all 4 sides



Overall Dimensions (LxW)* :	2140 x 830mm
Mattress Platform Dimension*:	1920 x 660mm
Backrest** :	65°
Trendelenburg**:	16°
Reverse Trendelenburg**:	19°
Height (w/o Mattress)*:	630 - 950mm
Safe working Load:	180kgs
Patient Weight bearing capacity:	160kgs
Castors:	200mm Central



IV Rod



Push Handles



8" Central Locking Castors



Foot Operating Lever



X-Ray Cassette Holder



Protective Bottom Cover



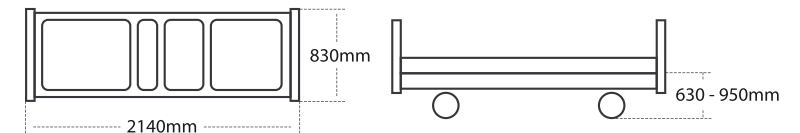
Oxygen Cylinder Holder



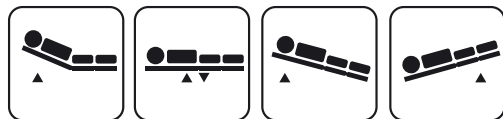
Foot end Shelf (Optional)

Optional Accessories

- Fifth Wheel
- Oxygen Cylinder Holder
- Foot end Shelf



* ±20mm Engineering Variation. ** ±2° Engineering Variation



IV Rod



Full body X-Ray Top with Sliding Cassette Holder



Dual Side Foot Operated Pedal for Hi-Lo



Collapsible SS Railings



8" Central Locking Casters



Push Handles



Foot end Shelf (Optional)

KP-1069 ^{PLUS}

Emergency & Recovery Trolley (Hydraulic)

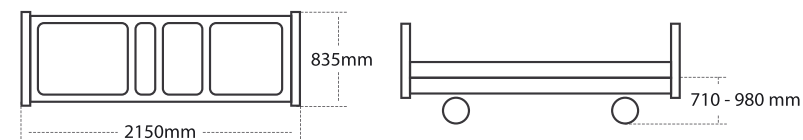
Description

- Heavy duty non -staining precision ball bearing swivel castors of 8" or 5" for easy maneuverability.
- Foot operated and centrally actuated lever at head and foot ends with multistage switching for total lock, direction lock or free mobility
- Gas spring assisted seamless adjustment of trendelenburg and reverse trendelenburg positions
- Backrest operated manually on ratchet system
- Convenient height adjustment on high quality hydraulic pump with foot operated levers on either sides of the trolley
- Two section mattress platform made of X-Ray permeable pre-laminated board, supported on strong tubular frame with removable stretcher
- Provided with Oxygen Cylinder Cage, Sliding X-ray Cassette holder, SS collapsible safety side railings, SS telescopic I.V. Rod with 4 hooks, Utility Tray, Push handles and Suitable Mattress of 50 mm (2")

Overall Dimensions (LxW)* :	2150 x 835mm
Stretcher Dimensions (LxW)* :	1870 x 660mm
Mattress Platform Dimension*:	1920 x 660mm
Backrest** :	80°
Trendelenburg**:	23°
Reverse Trendelenburg**:	9°
Height (w/o Mattress)*:	710 mm to 980 mm
Safe working Load:	220kgs
Patient Weight bearing capacity:	175kgs
Castors:	200mm Central

Optional Accessories

- Fifth Wheel
- Oxygen Cylinder Holder
- Foot end Shelf



* ±20mm Engineering Variation. ** ±2° Engineering Variation



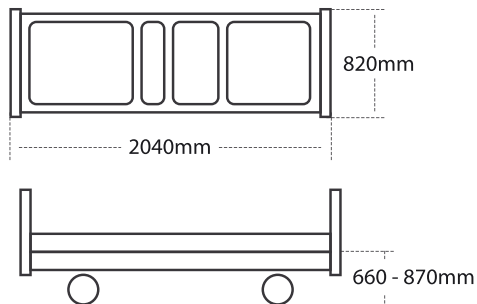
KP-1069A

Emergency & Recovery Trolley (Manual)

Description

- Tubular M.S. Framework
- Positions Obtained by Separate Smooth Crank System with S.S. Foldable Handle: Hi – Low & Trendelenburg / Reverse Trendelenburg.
- Removable two section X-Ray permeable top with Head Raise on ratchet mechanism.
- Trolley Mounted on 125 mm (5") diagonal locking castors
- Provided with SS drop down Safety Side Railings, SS telescopic I.V. Rod with 4 Hooks and Suitable Mattress of 50 mm (2").
- Finish: Pretreated and Epoxy powder coated.

Overall Dimensions (LxW)* :	2040x820mm
Stretcher Dimensions (LxW)* :	1900x610mm
Mattress Platform Dimension*:	1850x610mm
Backrest** :	80°
Trendelenburg**:	13°
Reverse Trendelenburg**:	6°
Height (w/o Mattress)*:	660-870mm
Safe working Load:	165kgs
Patient Weight bearing capacity:	135kgs
Castors:	150mm Diagonal



Full body X-Ray Top with Sliding Cassette Holder



Smooth Crank System with Foldable Handles



Swing Away SS Railings



IV Rod



6" Diagonal Locking Casters

* ±20mm Engineering Variation. ** ±2° Engineering Variation

Patient Transfer TROLLEYS

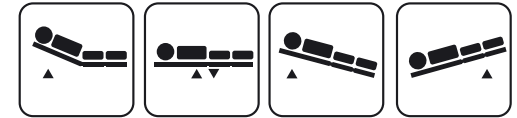
KP-1069

Emergency & Recovery Trolley (Hydraulic)

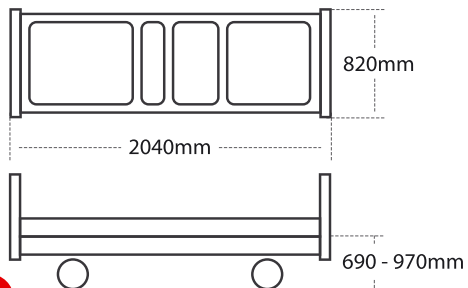
Description

- Tubular M.S. Framework, foot operated hydraulic pump for height adjustment
- Smooth Pneumatic mechanism to obtain Trendelenburg and Reverse Trendelenburg positions.
- Removable two section X-Ray permeable top with Head Raise on Ratchet Mechanism.
- Trolley Mounted on 125 mm (5") diagonal locking castors
- Provided with Oxygen Cylinder Cage, Sliding X-ray Cassette holder, SS drop down safety side railings, SS telescopic I.V. Rod with 4 hooks, Utility Tray and Suitable Mattress of 50 mm (2").
- Finish: Pretreated and Epoxy powder coated.

Overall Dimensions (LxW)* :	2040x820mm
Stretcher Dimensions (LxW)* :	1900x610mm
Mattress Platform Dimension*:	1850x610mm
Backrest** :	80°
Trendelenburg**:	23°
Reverse Trendelenburg**:	9°
Height (w/o Mattress)*:	690-970mm
Safe working Load:	170kgs
Patient Weight bearing capacity:	140kgs
Castors:	150mm Diagonal



* ±20mm Engineering Variation. ** ±2° Engineering Variation



Full body X-Ray Top with Sliding Cassette Holder



Single Side Foot Operated Pedal for Hi-Lo



Swing Away SS Railings



IV Rod



6" Diagonal Locking Casters

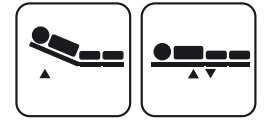
Patient Transfer TROLLEYS

KP-E3

Luxurious Stretcher

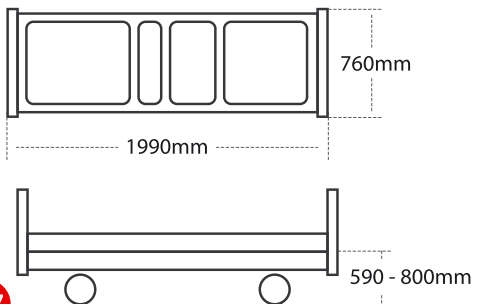
Description

- Tubular M.S. Framework.
- Smooth crank operated mechanism for height adjustment
- Two section ABS platform.
- Backrest adjustable by gas spring.
- Sheet Metal Slim Trolley Mounted on 125 mm (5") central locking castors
- Provided with Oxygen Cylinder Cage, ABS safety side railings, SS telescopic I.V. Rod with 4 hooks and Suitable Mattress of 50 mm (2").
- Finish: Pretreated and Epoxy powder coated.



* ±20mm Engineering Variation. ** ±2° Engineering Variation

Overall Dimensions (LxW)* :	1990x760mm
Stretcher Dimensions (LxW)* :	1990x600mm
Mattress Platform Dimension*:	1990x600mm
Backrest** :	70°
Height (w/o Mattress)*:	590-800mm
Safe working Load:	165kgs
Patient Weight bearing capacity:	135kgs
Castors:	125mm Central



Oxygen Cylinder Holder ABS Platform Smooth Crank System For Hi-Lo ABS Railings IV Rod 5" Central Locking Casters

KP - 962

Stretcher Trolley with Mattress



S.S. Frame work.

Description:

- Framework made of Tubular M.S. Pipe with S.S. handle.
- 2 Section Platform Top with Fixed 50mm (2") Mattress.
- Trolley mount on 150 mm diagonal Locking castors.
- Swing Away Type Safety Side Railing in M.S.
- Provided with Adjustable S.S. I.V. Rod, Utility Tray, and Cylinder Cage.
- Finish: Pretreated and Epoxy powder coated.
- Stretcher Top Size*: Handle to handle - 2090L x 560W mm
- Overall Size*: 2090L x 590W x 840H mm

KP - 1016

Stretcher on Trolley



S.S. Frame work.

Description:

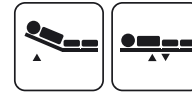
- Removable Stretcher top on CRCA, ERW tubular Steel trolley mounted on 150mm (6") Diagonal Locking Castors.
- Framework made of 1.25" x 16G vertical and 1" x 18G horizontal CRC tubes.
- Suitable Mattress of 50 mm (2"), with Safety Belts.
- Finish: Pretreated and Epoxy powder coated.
- Stretcher Top Size*: Handle to handle - 2050L x 565W mm
- Trolley Size*: 1113L x 580W x 800H mm

Optional Accessories:

- S.S. Telescopic I.V. Rod with 4 Hook's (USI-5002)
- Safety Side-Rails, Swing Away S.S. / M.S.

KP - E4

Luxurious Connecting Stretcher



Description:

- High quality Aluminum material as the main structure, one time automatically pressed
- Stretcher can be lift up/down easily with crank, to let the two single stretcher come to the same level and slide the top easily.
- It can be locked automatically when the Top slide to single stretcher.
- Smooth Pneumatic mechanism to raise Backrest for top.
- Hi - Low position obtained by Smooth Crank System with S.S. Foldable Handle at foot end.
- Framework made of mild steel mounted on 125mm (5") Central Locking Castors
- Two Section PP Platform Top.
- PEEngineering plasticmouldedt two Pieces individual Side Rails.
- Bottom Trolley fully M.S. covered
- Finish: Pretreated & Epoxy Powder Coated.
- Overall Size*: 3650L x 640W x 640 - 970H mm.

Patient Transfer TROLLEYS



KP - 1008

Ambulance Stretcher



Description:

- Light Weight & Strong Structure made up of high quality aluminum alloy.
- The stretcher Mattress is made of soft sponge mattress, which make patient feel comfortable.
- One medical staff can push the trolley onto the ambulance or send to ward.
- When need low position, pull out the safety handle & then press it, the stretcher's height will automatically lower down.
- When destination arrived, pulling out the safety handle, the stretcher's legs will unfold automatically.
- There are the return elastic lock device at both side of the stretcher & the leg parts. Lock tightly when turn up for patient safety, turn down for patients out.
- Pressing the button under the stretcher, the head part will be raised or lowered

Product Size*:

High position: 1930L x 550W x 850H mm
Low position: 1900L x 600W x 240H mm

Angle of the Backrest: 75°

Packing Size* (1pc): 1950L x 620W x 260H mm

N. W.: 40kg

G.W.: 46kg

Load Bearing: Less than 159kg



KP - 985

Ambulance Stretcher cum Wheelchair



Description:

- It is made of high-strength aluminum alloy thick-wall pipes.
- The bed surface is made of foamed cushion and the adjustable back making the wounded feel comfortable.
- The mechanical foldaway legs are controlled by one handle on one end of the stretcher. And the legs can be folded under the stretcher when loading into the vehicle.
- This type of stretcher is characterized by its being light, durable antiseptic easy for sterilization.
- This stretcher trolley can be converted into a Chair/Wheelchair; the angle of the Chair can be adjusted according to your requirement.
- It is quite suitable to transfer the patients in the limited place, Like Small lifts in hospital.

Product Size*:

High position: 1960L x 550W x 860H mm
Low position: 1960L x 550W x 250H mm

Angle of the Backrest: 85°

Packing Size* (1pc): 1980L x 620W x 260H mm

N.W.: 34kg

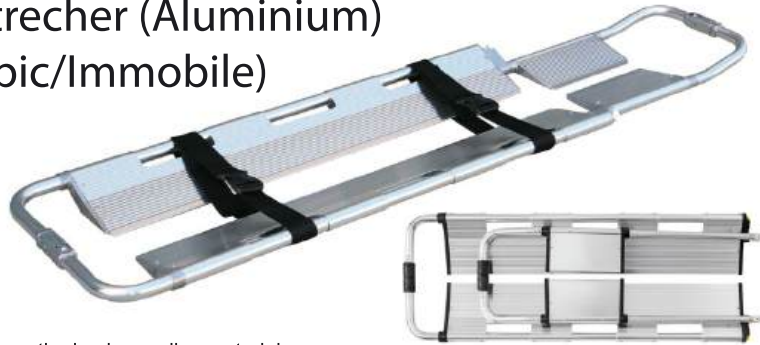
G.W.: 40kg

Load Bearing: Less than 159kg.



KP - 987

Scoop Stretcher (Aluminium) (Telescopic/Immobile)



Description:

- Made of high-strength aluminum alloy materials.
- Detachable design to transfer fractured and injured patients.
- One hinge device is set in each end of the stretcher used to divide main frame into two pieces.
- Strengthen the patients at original place to reduce the further hurt of the patients.
- Without moving the patient, the operators can draw out the stretcher very easily.
- Adjustable length according to patient's body.
- Equipped with a narrow frame structure of foot.

Dimensions (Approx):

- Product Size*:
 - Maximum : 2100L x 420W x 60H mm.
 - Minimum : 1200L x 420W x 90H mm.
- Packing Size* (1pc): 1720L x 470W x 90H mm.
- N.W. : 8.5kg
- G.W. : 10.5kg
- Load Bearing: Less than 159kg.

KP - XH9

Cervical Collar



Description:

Soft foam is slightly contoured for a comfortable fit. Covered with 100% cotton stockinet and a Velcro closure. Loop contact closures for easier use. Adjustable size designed for using on a wide range of patients.

KP - 989

Head Immobilizer



Description:

Speed Blocks a simple, four step process for application, a unique, multi-axis blocks system to accommodate all head shapes an injury positions, and direct access to patient's ears for better communication and inspection.

KP - 987M

Scoop Stretcher (MRI Compitable) (Telescopic/Immobile)

Description:

- Made of high-strength HDPE.
- Detachable design to transfer fractured and injured patients.
- One hinge device is set in each end of the stretcher used to divide main frame into two pieces.
- Strengthen the patients at original place to reduce the further hurt of the patients.
- Without moving the patient, the operators can draw out the stretcher very easily.
- Adjustable length according to patients' body.
- Equipped with a narrow frame structure of foot.
- The surface is easy to clean and impervious to fluids.

Dimensions (Approx):

- Product Size*:
 - Maximum: 2100L x 445W x 70H mm.
 - Minimum: 1200L x 445W x 70H mm.
- Packing Size* (1pc): 1720L x 470W x 90H mm.
- N.W. : 7kg
- G.W. : 8.5kg
- Load Bearing: Less than 159kg.



KP - 988

Spine Board

Description:

- This spine board with safety belts is made of PE material with no discharge contaminator, and firmness to wear.
- This plastic spine board can be used as a floatable device also.
- The structure is allowed X-rays because of its completely translucent.
- It is compatible with most head immobilization devices and strap mechanisms.

Dimensions (Approx):

- Product Size*: 1840L x 450W x 55H mm.
- Packing Size* (1pc): 1860L x 470W x 80H mm.
- N.W. : 7.4kg
- G.W. : 9kg
- Load Bearing: Less than 159kg.



* ±20mm Engineering Variation.

Patient Transfer TROLLEYS

KP - 911 Stair Chair (Electric)

Description:

Stair Chair made of aluminum alloy material, with light weight, easy folding, easy to operate etc. The motor is brush less motor, and it is divided into three gears of high and low grade. The battery is light weight and easy to disassemble lithium battery. Provided with four wheels (125mm & 75mm)

Dimensions (Approx):

- Product Size*:
Unfolded : 1650L x 485W x 1200H mm.
Folded : 1090L x 485W x 250H mm.
- Packing Size* (1pc): 1160L x 580W x 320H mm.
- N.W. : 33kg
- G.W. : 44kg
- Load Bearing: Less than 159kg.



KP - 910 Wheel Chair / Stair Chair

Description:

- The stretcher is made of high-strength aluminum alloy materials.
- It is an ideal facility for emergency staff to transfer patient from stairs
- Two stationary rear wheels enable the patients to be moved over most surfaces with minimal effort.
- The stretcher approves the patient's safety during transport process because of its 3pieces of restraint straps with quick-release buckle.
- Under the front of the stretcher, it has two flexible uplift rods.
- The stretcher can be folded and it saves the space in ambulance car.

Dimensions (Approx):

- Product Size*:
Unfolded : 910L x 430W x 910H mm.
Folded : 900L x 520W x 170H mm.
- Packing Size* (1pc): 960L x 540W x 170H mm.
- N.W. : 8kg
- G.W. : 9.2kg
- Load Bearing: Less than 159kg.



KP - 909 Patient Lifting/Transfer System (Electrical)

Description

- Patient Lift helps the disabled to move without barrier, and it is used for short distance move and walking practice for rehabilitation of the patient. Device can be used in multiple rooms
- Accommodates slings and body support
- 180-degree rotation, to achieve multi-directional movement.
- Equipped with emergency descent, emergency stop and overload protection.
- Width adjustable base for easy positioning. Low profile base with easy to roll castors for clearance under low objects.

Dimensions (Approx):

- Product Size*: 1100L x 620W x 1200H mm.
- Leg expansion width: 800mm
- Lift range: 750 – 1750 mm
- Load Bearing: Less than 200kg



KP - 991 Patient Transfer System / Board

Description:

The patient can slide easily in spite of the different height and weight. The nurses will feel more comfortable when moving the patient, and it is very helpful to the nurses. While moving the patient, particularly the serious patient on the patient beds. Can be shifted from Trolleys, inspection beds, X-ray fluoroscopy tables and operation tables. Materials: Nylon, Plywood, Water resistant. Maximum load for 15 cms gap will be 200 kgs. Overall Size*: 1700L x 500W mm.



KP - 1095

Folding Stretcher 2 Fold

Description:

- Aluminum Alloy folding lengthwise as well as width wise
- Top made up of PVC / Canvas material.
- 2 Fold, provided with bag

Dimensions (Approx):

- Product Size*:
Unfold : 2060L x 520W x 130H mm.
Folding : 1030L x 180W x 90H mm
- Packing Size* (2pc): 1120L x 190W x 200H mm
- N.W. : 5kg
- G.W. : 12kg
- Load Bearing : Less than 159kg.



KP - 1096

Folding Stretcher 4 Fold

Description:

- Aluminum Alloy folding lengthwise as well as width wise
- Top made up of PVC / Canvas material.
- 4 Fold, provided with bag.

Dimensions (Approx):

- Product Size*:
Unfold : 2140L x 550W x 120H mm.
Folding : 580L x 210W x 140H mm.
- Packing Size* (1pc): 670L x 300W x 170H mm.
- N.W. : 5kg
- G.W. : 7kg
- Load Bearing : Less than 159kg.



KP- 1038

Baby Cradle

Description:

- Stand frame work made of 25 mm x 1.22 mm M.S. tubular pipe
- Legs fitted with PVC Stumps
- Wire mesh hanging cradle made of 19 mm x 1.22 mm CRC Tube and wire mesh on 5 mm thick.
- Finish: Pre-treated and Epoxy Powder Coated
- Overall Size*: 910L x 460W x 910Hmm
- Provided with suitable mattress.



KP - 1041

Baby Bassinet

Description:

- Preprex transparent Crib with 50mm (2") Mattress.
- Trendelenburg & Reverse Trendelenburg adjustable Manually by hand.
- M.S. Framework mounted on 50 mm (2") Castors
- Provided with S.S. I.V. Rod
- Wooden Laminated Shelf at the bottom.
- Finish: Pretreated & Epoxy powder coated
- Overall Size*: 760L x 460W x 810Hmm
- Provided with suitable mattress.



* ±20mm Engineering Variation.

KP - 1042

Baby Bassinet (with Utility Box)

Description:

- Preprex transparent Crib with 50mm (2") Mattress.
- Trendelenburg & Rev. Trendelenburg adjustable by knob.
- M.S. Framework mounted on 50 mm (2") Castors
- Provided with S.S. I.V. Rod with Shelf provided at the bottom.
- Finish: Pretreated & Epoxy powder coated
- Overall Size*: 760L x 460W x 810Hmm
- Provided with suitable mattress.

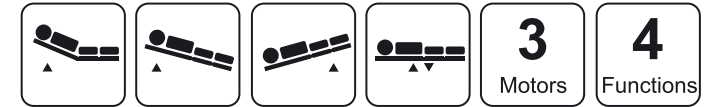


Delivery Beds

KP - E7 Labour Delivery Room Bed (Electric)

Description

- Advance Liner actuator system with IP54 Liquid splash protection (03 pcs. Motor, 01 pcs. Control box, 01 pcs. Handset)
- PP Head Panels with metal inserts along with lock and corner buffer.
- PP Moulded Two Pieces individual Side Rails.
- Tubular framework mounted on 125mm (5") Central locking castors.
- Three-section top made of Bakelite sheet covered with 3 section Removable suitable Mattress.
- Positions Obtained/Function's by Patient Hand Remote: Backrest, Hi – Low, Trendelenburg & Reverse Trendelenburg.
- Leg end section can slide under the main section.
- Height adjustable a pair of foam padded knee crutches.
- S.S Telescopic I.V. Rod with 4 hooks
- Detachable S.S. Tray
- Provided with adjustable S.S. Grip Handles on both sides.
- Finish: Pretreated and epoxy powder coated.



SS Basin



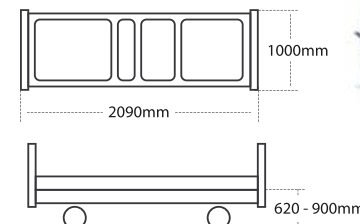
Handset



IV Rod



5" Central Locking Castors



* ±20mm Engineering Variation. ** ±2° Engineering Variation

Overall Dimensions (LxW)* :	2090x1000mm
Mattress Platform (LxW)* :	1900x660mm
Backrest** :	80°
Trendelenburg**:	14°
Reverse Trendelenburg**:	6°
Height*:	620mm - 900mm
Safe working Load:	180kgs
Patient Weight bearing capacity:	150kgs
Castors:	125mm Central
Power:	110VAC-240VAC, 50/60Hz
Electrical Shock protection:	Class 1, Type B
Liquid ingress Protection:	IPX6
Safety Standards:	IEC60601-2-52 IEC60601-1-1 IEC60601-1-2



KP-H7

Labour Delivery Room Bed (Hydraulic)

Description

- Foot operated Hydraulic System mechanism by stepping on the pedal located on either side of the table for Hi – Low adjustment.
- Backrest, Trendelenburg & Reverse Trendelenburg position Obtained by Smooth Crank System with S.S. Foldable Handle behind head end.
- Heavy PP Head Panel with metal inserts along with lock and corner buffer.
- PP Moulded two Pieces individual Side Rails.
- Tubular framework mounted on 125mm (5") Central locking castors.
- Three-section top made of Bakelite sheet covered with Removable suitable Mattress.
- Leg end section can slide under the main section.
- Height adjustable a pair of foam padded knee crutches.
- S.S Telescopic I.V. Rod with 4 hooks
- Detachable S.S. Tray
- Provided with adjustable S.S. Grip Handles on both sides.
- Finish: Pretreated and epoxy powder coated.

Overall Dimensions (LxW)* :	2090x1000mm
Mattress Platform (LxW)* :	1900x660mm
Backrest** :	75°
Trendelenburg**:	10°
Reverse Trendelenburg**:	11°
Height*:	620mm - 870mm
Safe working Load:	165kgs
Patient Weight bearing capacity:	140kgs
Castors:	125mm Central Locking



SS Basin



IV Rod



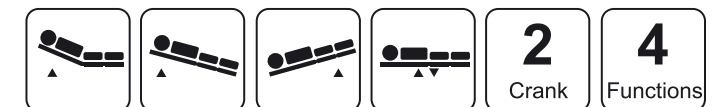
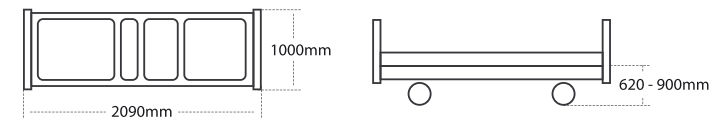
Smooth Crank at Rear end



Foot Pedal for Hi-Low



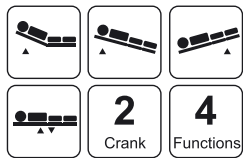
5" Central Locking Castors



Delivery Beds

KP - 1091

Obstetric Labour Table Telescopic (Adjustable Height)



Description:

- Foot operated Hydraulic System mechanism by stepping on the pedal located on either side of the table for Hi – Low adjustment.
- Backrest, Trendelenburg & Reverse Trendelenburg position Obtained by Smooth Crank System with S.S. Foldable Handle behind head end.
- Stainless steel Swing away type Head Panel along with safety side Rails.
- Tubular framework mounted on 125mm (5") Castors (all with Lock).
- Three-section top made of Bakelite sheet covered with Removable suitable Mattress.
- Leg end section can slide under the main section.
- Height adjustable a pair of foam padded knee crutches.
- S.S Telescopic I.V. Rod with 4 hooks
- Detachable S.S. Tray
- Provided with adjustable S.S. Grip Handles on both sides.
- Finish: Pretreated and epoxy powder coated.

Dimensions (Approx):

- Overall Size*: 1900L x 700W mm
- Platform Size* (full extended): 1800L x 660W mm
- Platform Size* (Leg section Slide under): 1260L x 660W mm
- Minimum Height (without Mattress): 670mm
- Maximum Height (without Mattress): 920mm
- Backrest angle: 50°
- TB / RTB: 9° / 12°

Also available in S.S. Frame work.

KP - 1090

Obstetric Labour Table Telescopic (Fixed Height)



Description :

- Backrest, Trendelenburg & Reverse Trendelenburg position Obtained by Smooth Crank System with S.S. Foldable Handle behind head end.
- Stainless steel Swing away type Head Panel along with safety side Rails.
- MS Tubular framework mounted on PVC stumps/shoes.
- Three-section top made of Bakelite sheet covered with Removable suitable Mattress.
- Leg end section can slide under the main section.
- Height adjustable a pair of foam padded knee crutches.
- S.S Telescopic I.V. Rod with 4 hooks.
- Detachable S.S. Tray
- Provided with adjustable S.S. Grip Handles on both sides.
- Finish: Pretreated and epoxy powder coated.

Dimensions (Approx):

- Overall Size*: 1900L x 700W x 760H mm
- Platform Size* (full extended): 1800L x 660W mm
- Platform Size* (Leg section Slide under): 1260L x 660W mm
- Backrest angle: 50°
- TB / RTB: 9° / 12°

Also available in S.S. Frame work.

KP - 1093

Obstetric Delivery Table (3 section)

Description:

- Rectangular & square tube frame work mounted on PVC stumps
- Three sections fixed cushioned top
- Backrest, Seat & Leg section adjustable by hand lever
- Provided with SS bowls
- Height adjustable a pair of knee crutches.
- Knockdown construction.
- Finish: Pre treated & Epoxy Powder Coated.
- Overall Size* (Approx.): 1800L x 555W x 760H mm



KP - 1097

Delivery Bed (Telescopic)

Description:

- Bed, Labour & Delivery made in 2 section, body section with legs mounted on PVC stumps/shoes.
- Leg section mounted on 100mm (4") Castors with brakes.
- Leg section can be completely recessed under the body section supports for legs holders with solid mechanism to fix leg holders at required height & width
- Filled mattress – pad and cover mattress pad in 2 section.
- Supplied with 2 knee crutches adjustable in height & width
- Knockdown construction.
- Finish: Pretreated & Epoxy powder coated.
- Overall Size* (Approx.):
Body section* : 1000L x 800W x 750H mm
Leg section : 900Lmm.



KP - 1092

Obstetric Delivery Bed in 2 parts (2 Section Top)

Description:

- Tubular frame work made in two section
- Body section with legs mounted on PVC stumps/shoes.
- Leg section on 100mm (4") Diagonal locking castors.
- Two section fixed cushioned top.
- Height adjustable a pair of knee crutches.
- Knockdown construction.
- Finish: Pre treated & Epoxy powder coated.
- Overall Size* (Approx.): 1800L x 760W x 750H mm.



*±20mm Engineering Variation.

Wheelchairs

KP - 809

Wheel Chair Folding
(Fixed Armrest and Footrest)



KP - 895

Walker



KP - 901

Wheel Chair Folding
(Detachable Armrest and Footrest)



KP - 681

Wheel Chair Folding (Commode)
(Detachable Armrest and Footrest)



KP - 894

Commode Chair



KP - 1040

Wheelchair (Fixed)



A) M.S. Frame

B) S.S. Frame

KP - 609GC

Wheel Chair Folding
(Commode)

- Detachable Armrest and Footrest.
- Recline back rest and elevated legs

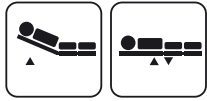


MEASUREMENTS* cm MODEL NO.	DIM												MODEL NO.	DIM				PCS CN	G.W. (kg)				
	1	2	3	4	5	6	7	8	9	10	11	12		1	2	3	4						
KP-901	60(65)	28	41(46)	61	20	50	90	106	40	45	100	80X28X91	KP-894	51	43	41-55	69	40	29	8	52X23X78	1	9
KP-809	60(65)	24	41(46)	59	20	50	87	106	40	45	100	93X24X88											
KP-609GC	63	35	44	59	20	52	120	127	43	78	90	97X35X94											
KP-681	66	30	44	59	15	50	95	102	43	51	90	75X43X76											
KP-1040	49	-	44	57	15	95	95	95	45	42	120												

* ±10mm Engineering Variation.

KP - 1061

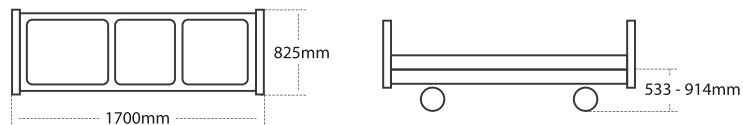
Gynaecology Chair (Electric)



Description

- Manually adjustable Pelvic tilt ensures a good angle for examine the pelvic examination
- Electrically Height adjustment facility allows the doctor to treat the patient more efficiently. Low height allows easy access especially for pregnant ladies.
- Electrically Operated Backrest helps in better sitting comfort and examination.
- Integrated paper roll holder helps in maintaining better hygiene.
- Provided with a pair of hand grips, a pair of Lithotomy crutches & S.S. Tray
- Foldable leg section to be used in various positions

Overall Dimensions (LxW)* :	1700 x 825mm
Backrest** :	65°
Height*:	533mm - 914mm
Safe working Load:	135kgs
Patient Weight bearing capacity:	110kgs
Upholstery Thickness:	2.5"
Power:	10VAC-240VAC, 50/60Hz
Electrical Shock protection:	Class 1, Type B
Liquid ingress Protection:	IPX6
Safety Standards:	IEC60601-2-52



*±20mm Engineering Variation.

* ±20mm Engineering Variation. ** ±2° Engineering Variation

Examination Tables



KP - 1060

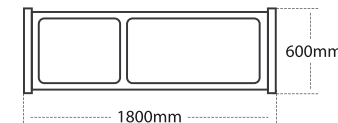
Examination Table (Electric)



Description

- Gas spring assisted backrest.
- Electrically Height adjustment by handset facility allows the doctor to treat the patient more efficiently. Low height allows easy access especially for older/pregnant ladies.
- Dual side operated utility storage space.
- Integrated paper roll holder helps in maintaining better hygiene.
- 2 section top with fixed mattress.

Overall Dimensions (LxW)* :	1800 x 600mm
Head Dimensions (LxW)*:	560 x 600mm
Backrest** :	60°
Height*:	508mm - 889mm
Safe working Load:	170kgs
Patient Weight bearing capacity:	150kgs
Upholstery Thickness:	2.5"
Power:	10VAC-240VAC, 50/60Hz
Electrical Shock protection:	Class 1, Type B
Liquid ingress Protection:	IPX6
Safety Standards:	IEC60601-2-52



KP - 1065

Examination Couch

Description:

- Fixed upholstered top in two section
- Body framework made up of CRCA sheet and legs covered with PVC stumps/shoes.
- Smooth Pneumatic mechanism to raise Headrest.
- Provided with three sliding drawers with three separate doors and B.P. apparatus tray at head end.
- Sliding foot step located at bottom center.
- Finish: Pre-treated & epoxy powder coated
- Overall Size* (Approx.): 1870L x 560W x 820Hmm.
- CRCA Cabinet Size* (Approx.): 1200L x 450W x 630H mm.



KP - 1066

Gynae Examination Couch

Description:

- Fixed upholstered top in two section
- Body framework made up of CRCA sheet and legs covered with PVC stumps/shoes
- Smooth Pneumatic mechanism to raise Headrest
- Provided with three sliding drawers with three separate doors and B.P. apparatus tray at head end.
- Sliding footstep located at bottom center.
- Provided with Perineal Cut & pair of lithotomy poles (12mm SS Rod) with straps at foot end.
- Finish: Pre-treated & epoxy powder coated
- Overall approx. Size*: 1870L x 560W x 820H mm.
- CRCA Cabinet Size* (Approx.): 1200L x 450W x 630H mm



KP - 1063

Examination Table (Electric)

Description:

- Advance Liner actuator system with IP54 Liquid splash protection (01 pcs. Motor, 01 pcs. Control box, 01 pcs. Handset]
- Hi – Low Function obtained by Hand Remote.
- Plain Platform Top with Fixed Mattress of 50mm (2").
- Framework made up of M.S. Tube mounted on PVC stumps/ Shoes.
- Provided with Paper holder.
- Finish: Pre-treated & epoxy powder coated.
- Overall approx. Size*: 1820L x 600W x 540-780H mm



KP - 1094

Examination Table (2 Section)

Description:

- Fixed upholstered top in two sections.
- Framework made of rectangular & square MS CRC tubes mounted on PVC stumps/shoes.
- Back rest adjustable by hand lever
- Knockdown construction
- Finish: Pre-treated & epoxy powder coated
- Overall Approx. Size*: 1800L x 600W x 800H mm.



KP - 954

Examination Cum Gynae Table

Description:

- Fixed upholstered top in two sections.
- Framework made of MS CRC tubes mounted on PVC stumps/shoes.
- Back rest adjustable by hand lever
- Provided with Perineal Cut & pair of lithotomy poles with straps at foot end.
- Knockdown construction
- Finish: Pre-treated & epoxy powder coated
- Overall Approx. Size*: 1830L x 600W x 760H mm



* ±20mm Engineering Variation.

Ward/OPD/OT Equipments

KP - S1

Blood Transfusion Chair (Std)

Description:

- Framework made of MS tube.
- The fabric is pressed PVC artificial leather
- Three angles adjustable
- One side basket and one SS IV Rod will be provided
- Finish: Epoxy Powder coated
- Open Size*: 700 x 770 x 1080mm



KP - 1070

Crash Cart

Description:

- Frame work made of S.S. Tubes
- Two light weight polystyrene boxes each with three drawers
- Upper drawer with medicine container of different sizes
- Provision to hold oxygen cylinder made of M.S.
- Provided with Sliding Writing board and which can be used as CPR board for cardiac patient
- Six Number color hand out small bins at eye level
- Total three S.S. Shelves with raise edges to carry Medical Equipment
- Provided with S.S. I.V. Rod & Corner Buffers.
- The Cart mounted on Diagonal locking castors.
- Overall Size (Approx.*): 960L x 500 W x 1545H mm



B) S.S. Frame

A) M.S. Frame

KP - 971

X-Ray View Box LED

Description:

- Framework made of M.S. Sheet.
- Only on/off features.

Available Sizes:

- A. One film
- B. Two film
- C. Three film
- D. Four film



KP - 972

X-Ray View Box LED

Description:

- Framework made of Aluminum Sheet.
- Provided features: on/off, Lux intensity adjustable by dimmer.
- Thickness: 45mm

Available Sizes:

- A. One film (External Dim. - 500x512x47mm)
- B. Two film (External Dim. - 850x512x47mm)
- C. Three film (External Dim. - 1200x512x47mm)
- D. Four film (External Dim. - 1570x512x47mm)



KP - 973

X-Ray View Box LED

Description:

- Framework made of Aluminum Sheet.
- Slimmest design 25 mm thin.
- Sensor based as well as on direct basis.
- Provided features: On & Off, Lux intensity adjustable by digital/dimmer.

Available Sizes:

- A. One film: 472x545x24mm
- B. Two film: 855x545x24mm
- C. Three film: 1205x545x24mm
- D. Four film: 1600x545x24mm



KP - 939

Emergency Trolley (ABS)

Description:

Framework made of ABS plastic body with aluminum columns. Provided with IV Pole, Dust bin (2pcs), Utility Container, File Holder, Sliding Side Shelf, S.S. rail on top, Defibrillator Shelf, Power Outlet at rear with Hook, Oxygen Tank Holder at rear, C.P.R. Board at rear. Centralized locking system for 2 small & 3 big drawer; provided with adjustable inner partitions. 125 mm (5") Diagonal locking castors.

Overall Size* (approx.): 850 x 520 x 950 mm



KP - 938

Anesthesia Trolley (ABS)

Description:

Framework made of ABS plastic body with aluminum columns. Provided with IV Pole, Dust bin (2pcs), Utility Container, File Holder, Multi Bin Container (1 set of 4 pcs), Sliding Side Shelf & S.S. rail on top. Centralized locking system for 2 small & 3 big drawer; provided with adjustable inner partitions. 125 mm (5") Diagonal locking castors.

Overall Size* (approx.): 850 x 520 x 950 mm



KP - 938 Plus

Multi Purpose Crash Cart

Description:

- Framework Made up of M.S CRCA sheet and mounted on 125mm (5") Twin wheel diagonal locking castors with buffer.
- Provided with adjustable Stainless steel IV Pole with 2 hooks (01 pcs) and accessories hanger (01 pcs) .
- Stainless steel Top (2 pcs) with raised edges from 3 sides.
- Centralised locking system for 2 Small (90 mm H) and 2 Medium (130 mm H) and 1 Large (240 mm H) Drawers.
- Multi bins are provided for top drawer.
- Accessories Included: Dust bin on side (2 pcs), File holder on other side (01 pcs), multi-bin tiltable containers on top (10 pcs), Stainless steel push handles on both sides
- Tray Size*: 705 x 480 mm & 705 x 225 mm (Top shelve).
- Overall Size* (Approx.): 1015 W x 565 D x 1650 H mm.



KP - 940

OT Drug Trolley

Description:

- Complete SS Framework.
- Detachable 24 Nos. small bins and 12 nos big bins.
- 1 Tray on top and 1 Tray at bottom.
- Trolley mounted on 125mm dia diagonal locking castors.



* ±20mm Engineering Variation.

Ward/OPD/OT Equipments

KP - 1045

Instrument Cabinet

Description:

- Made from CRC sheet three side closed
- Front glass door and corners covered with CRC sheet.
- Inside 4 glass shelves.
- Pre-treated and Epoxy Powder Coated.
- Size*: 1470H x 600L x 350Wmm



KP - 1014

Laprosopic Trolley

Description:

- Four Shelves adjustable and one drawers
- Trolley provided with two handle
- The trolley mounted on 125mm (5") Diagonal Locking Castors.
- Provided with Switch & Socket for medical equipment along with 1 Main MCB for protection
- Supplied with S.S. IV Rod and MS Oxygen Cylinder Cage.
- Finish: Pre-treated and Epoxy Powder Coated
- Overall Approx*. Size: 889L x 735W x 1750H mm.



KP - 1057

Medicine Trolley with 4 Drawer

Description:

- Frame work made of MS tube mounted on 100 mm (4") Diagonal Locking Castors.
- Two S.S. shelves with three side railing on top shelf
- Two M.S. Drawer under the each shelf
- Finish: Pre-treated & Epoxy Powder Coated.
- Overall Size*(Approx.): 760L x 460W x 950H mm.
- Top Size*(Approx.): 770L x 460W mm.



KP - 1025

Dressing Trolley

Description:

- Frame work made of S.S. tubes
- Two S.S. Shelves with S.S. railing on all four sides
- The trolley fitted S.S. bucket and S.S. bowl
- The trolley mounted on 100 mm (4") diagonal locking Castors
- Supplied in Knockdown construction.
- Finish: S.S. Frame, S.S. shelves with S.S. Basin & Bucket
- Overall Size*(Approx.): 30"L X 18"W X 32"H



KP - 976

Instrument Trolley

Description:

- Frame work made of 1" x 18G vertical S.S. Tubes
- Two 22G S.S. Shelves with three sides railing
- The trolley mounted on 100 mm (4") Diagonal Locking castors
- Supplied in Knockdown construction
- Finish: S.S. Frame with S.S. Shelves



Available Size*:
a. 30"L x18"W x32"H
b. 36"L x24"W x32"H

* ±20mm Engineering Variation.

KP - 1006

OT Instrument Mayo' Trolley over the OT Table (Gear handle adjustable)

Description:

- Adjustable height by gear handle from both sides of tray from 910 to 1270 mm
- Frame work made of S.S. tubes
- Tray made of 0.9 mm thick S.S. 304 Grade sheet
- Table mounted on 100 mm (4") Diagonal locking castors
- Finish: S.S. Frame with S.S. Removable tray
- Overall Size* (Approx.): 1220L x 520W x 910H mm
- Tray Size* (Approx.): 925L x 545W mm



KP - 956

O.T. Mayo's Table (Gear Handle Adjustable)

Description:

- Adjustable height by gear handle.
- Frame work made of 50 x 30 x 1.22 mm rectangular S.S. tubes
- Tray made of 0.9 mm thick S.S. 304 Grade sheet
- Table mounted on 50 mm (2") Diagonal locking castors
- Finish: S.S. Frame with S.S. Removable tray
- Overall Size* (Approx.): 600L x 400W x 900-1200Hmm
- Tray Size* (Approx.): 625L x 440W mm



KP - 1022

O.T. Mayo's Table (Knob Adjustable)

Description:

- Telescopic Rectangular Frame work for height adjustable through knob from approx. 900mm to 1450mm.
- Mounted on 50 mm (2") Castors.
- S.S Frame with S.S. Removable tray
- Overall Size* (Approx.): 600L x 400W x 900-1450Hmm
- Tray Size* (Approx.): 625L x 440W mm.



* ±20mm Engineering Variation.

KP - 805

Utility Trolley (Two Shelves)

Description:

- Framework made of Tubular M.S. pipe.
- Two S.S. Shelves
- One M.S. Drawer
- Trolley mounted on 100mm (4") Diagonal locking Castors
- Provided with S.S. I.V. Rod.
- Overall Size* (Approx.): 520L x 450W x 940H mm.
- Top Size* (Approx.): 450L x 450W mm.



KP - 1048

Soiled Linen Trolley with Canvas Bag

Description:

- Frame work made of CRC M.S. tube mounted on 100 mm (4") diagonal locking castors
- Superior quality canvas bag
- Finish: Pre-treated and Epoxy powder coated frame
- Overall Size* (Approx.): 510L x 510W x 900H mm



A) M.S. Frame

B) S.S. Frame

KP - 1067

Soiled Linen Trolley with Plastic Bucket

Description:

- Framework made of CRC M.S. tube mounted on 100 mm (4") diagonal locking castors.
- Push handle at one end
- Superior quality & washable Plastic Bucket of 100 ltrs.
- Finish: Pre-treated and Epoxy powder coated frame
- Overall Size* (Approx.): 635L x 530W x 930H mm.



A) M.S. Frame

B) S.S. Frame

Ward/OPD/OT Equipments

KP - 1055 Surgeon Chair

Description:

- Fixed Cushioned seat and back.
- Height adjustable by gas spring from 540 mm to 660 mm
- Swinging back rest and can be locked at any position
- Aluminum 5 legs Base with S.S. foot ring
- Base fitted with 50 mm (2") Castors



KP - 1056 Surgeon Chair (Electric)

Description:

- Fixed Cushioned seat and back.
- Height adjustable by electric foot rest of 130mm stroke.
- Swinging back rest.
- Hand rest adjustable.
- Aluminum 5 legs Base.
- Base fitted with 50 mm (2") Castors
- Overall Size*: 630L x 600W x 780-910H mm



KP - 950 Lab Technician Stool

Description:

- Fixed cushioned seat
- Height adjustable by gas spring from 510mm to 650mm
- 5 legs Plastic base mounted on 50 mm (2") castors



KP - 1031 Stool

Description:

- Top made of CRCA M.S. Sheet double bent
- Legs made of 25 mm x 18 G CRCA Tube fitted with PVC Stumps/Shoes.
- Finish: Pre treated and Epoxy Powder Coated
- Overall Size* (Approx.): 350L x 350W x 490H mm
- Top Size* (Approx.): 310L x 310W mm



KP - 1036 Revolving Stool (SS Top)

Description:

- Four legs M.S. base fitted with PVC Stumps/Shoes.
- Height adjustable by machine screw from 460mm to 655mm
- Footrest ring support made of MS Tube.
- SS top supported with MS sheet.
- Finish: Pre-treated and Epoxy Powder Coated frame
- Overall Size* (Approx.): 480L x 480W x 500H mm.



Also available in S.S. Frame work.



* ±10mm Engineering Variation.

KP - 1075 Revolving Stool (Cushioned top)

Description:

- Four legs M.S. base fitted with PVC Stumps/Shoes
- Height adjustable by machine screw from 540mm to 735mm.
- Footrest ring support made of MS Tube
- Cushioned top support with MS Circle
- Finish: Pre treated and Epoxy Powder Coated
- Overall Size* (Approx.): 460Lx 460W x 540H mm.



Also available in S.S. Frame work.



KP - 1029

Foot Step (Single)



S.S. Frame

Description:

- Frame made of 1" x 18G CRCA Tube fitted with PVC Stumps/Shoes.
- Step made of M.S. Top fitted with Aluminum strips.
- Finish: Pre treated and Epoxy Powder Coated
- Overall Size* (Approx.): 450L x 270W x 240H mm.

KP - 1030

Foot Step (Double)



S.S. Frame

Description:

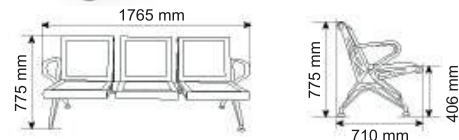
- Frame made of 1" x 18G CRCA Tube fitted with PVC Stumps/Shoes.
- Step made of M.S. Top fitted with Aluminum strips
- Finish: Pre treated and Epoxy Powder Coated
- Overall Size* (Approx.): 600L x 505W x 450H mm.
- First step height 230 mm and second step 220mm.

KP - 802

Waiting Area Chair (Set of 3 chairs)

Description:

- Perforated Sheet M.S. Sheet
- Solid Aluminum alloy Armrest and legs
- Set of 3 seats
- Finish: Pretreated & Epoxy Powder Coated
- Overall Size*: 1765L x 710W x 775H mm



KP - 1032

Kick Bowl

Description:

- Approx. S.S. Bowl of 340 mm dia
- Frame work made of SS Tubes
- Mounted on 50mm (2") castors
- Finish: Stainless Steel.
- Overall Size* (Approx.) : 340 mm Dia x 310H mm



KP - 1033

Kick Bucket

Description:

- Approx. S.S. Bucket of 350 mm dia
- Frame work made of SS Tubes
- Mounted on 50mm (2") castors
- Finish: Stainless Steel.
- Overall Size* (Approx.): 350 Dia x 310H mm



KP - 1047

Trolley for Oxygen Cylinder

Description:

- Framework made of M.S. CRC tube mounted on 100mm castors at rear.
- Finish: Pre-treated and Epoxy powder coated
- A. For D type cylinder (Big Cylinder)
- B. For B type cylinder (Small Cylinder)



KP - 2552

Aerosol Disinfector

Description:

- A single unit can sterilizer 250cu. mtrs. About 9000 cu. Ft. in just 30-60 minutes. Suitable to work on 220, Single Phase, 50 Hz, AC Supply. Available Stainless Steel body in 5 Liters capacity



Ward/OPD/OT Equipments

KP - 2551

Vertical High Pressure Steam Sterilizer

Description:

High-pressure water steam electrically heated vertical sterilizer used for sterilizer of surgical instruments, dressing materials, Linen, Rubber, Plastic material, Injection liquids by means of steam under pressure of 15 to 20 PSI. (Adjustable) Triple chamber with inner chamber and steam jacket made of thick stainless steel. All sterilizer is hydraulically tested upto 2.5 time of working pressure. Outer chamber made of stainless steel reinforced with M.S. sheet. Lid is made of thick stainless steel plate single piece and closed by wing nuts arrangement. Joint less neoprene gasket does not allow any leakage. Fitted with double safety valve, Water level indicator, water inlet and drain valves. Supplied complete with cord and plug but without dressing bins, To work on 220 volts, Single Ph, 50 Hz, Ac supply. Comes along with automatic low water level cut off device, digital timer and temperature control.

Available in following Sizes*

Dia	Depth	Element	Load	Total Load	
300		500	2Nos.	2Kw	4Kw
400		600	2Nos.	3Kw	6Kw

Model:

KP – 2551A – 12"X20" (W x L) 50 Ltr.
 KP – 2551B – 16"x24" (W x L) 75 Ltr.

KP - 1073

Sterilizer (Portable)

Description:

Seamless construction made of aluminum alloy with turning on lid highly polished. It comes with one stop cock (continues bleeding valve), safety valve and pressure gauge.

Sizes:*

- KP-1073A – 12"W x 12"L (21 Ltr.)
- KP-1073B – 12"W x 14"L (24 Ltr.)
- KP-1073C – 12"W x 22"L (39 Ltr.)



KP - 2553

Ultra Low Volume Fogger (4Ltr.)

Description:

- Body & Tank : 304 Grade Stainless Steel
- Tank Capacity : 4 Liter of Chemical Storage
- Blower Motor : >25000 RPM Motor
- Nozzle : 1 Counter Rotating Vortex Nozzle
- Chemicals : Can atomize both oil-based and water-based liquids.
- Discharge Rate : 5 Ltr. Per hour
- Control Valve : One turn. Brass Valve
- Particle Size* : 7-30 u, adjustable. Liquid viscosity can affect particle Size*.
- Range : Visible fog. 20-30 ft [7.5m]
- Input : 230V 50Hz Power Supply
- Dimensions : [33 x 41 x 23.5 cm] L x H x Dia
- Net. Weight : 4.60 kg (Approx.)



KP - 2550

Horizontal High Pressure Steam Sterilizer

Description :

Shell consist of chamber and jacket. The chamber is made of thick stainless steel sheet. To minimize the heat loss the shell has been insulated with glass wool and covered with SS 304G cover. The shell is mounted on a sturdy MS Tubular stand. Boiler is fitted with auto pressure control device to set and maintain the chamber pressure. Door and ring is made of thick stainless steel plate. Fitted with semi- automatic temp. Control system, steam lock mechanism & jointless silicon gasket.

Standard accessories : Water Inlet/outlet valve, water level indicator with safety valve fitted with boiler, pressure gauge, three way valve for controlling of sterilizing cycle, auto pressure control system, semi automatic temp. Controller, steam trap wall , low water cut off system with alarm.

Available Sizes:*

- A) 16" x 24", load 6 K.W
- B) 18" x 36", load 8 K.W
- C) 20" x 48", load 12 K.W

* ±20mm Engineering Variation.

KP - 2501

Seamless Dressing Drum (S.S)

Available Sizes:* 6"x4", 6"x6", 9"x5", 11"x5", 11"x9", 14"x9", 15"x12"



KP - 2502

Instrument Sterilizer Electric (S.S.)

Available Sizes:* 12"x6"x5.5", 14"x6"x5.5", 16"x6"x5.5", 16"x8"x7.5", 18"x8"x7.5", 20"x8"x7.5", 24"x6"x7.5", 24"x12"x7.5", 24"x12"x12"



KP - 2505

Kidney Tray (S.S.)

Available Sizes:* 6", 8", 10", 12"



KP - 2507

Urinal Pot (S.S.)

Available Sizes:* 800ml



KP - 2504

Catheter Tray (S.S.)

Available Sizes:* 8"x3", 16"x4"



KP - 2509

Enema Can (S.S.)

Available Sizes:* 2 Ltrs.



KP - 2510

Sputum Mug (S.S)

Available Sizes:* 100D x 50Hmm
450ml



KP - 2511

Lotion Bowl (S.S.)

Available Sizes:* 60D x 40Hmm
112ml



KP - 2503

Instrument Tray (S.S.)

Available Sizes:* 8"x6", 9"x6", 10"x8", 11"x7", 12"x8", 12"x10", 15"x12", 18"x12"



KP - 2508

Basin (S.S.)

Available Sizes:* 6", 8", 10", 12", 14", 16"



KP - 2506

Bed Pan (S.S.) male/female

Available Sizes:* 355 x 290 x 70mm



* ±20mm Engineering Variation.



KP - 1072

Suction Apparatus (0.50 H.P)

Description:

- Powder coated M.S. chassis with S.S. Top
- Noise level of suction apparatus is 50 Db +/-03 DB
- Electric requirement – 220 – 230V, 50Hz, 1Phase
- Ideal for MTP / medical / surgical procedures
- Rotary Vane Type Vacuum Pump with-740 +/-10mm Hg
- Free air displacement 35-40 ltrs / min
- Heavy duty castors
- 370 Watt, 1440RPM, 0.50.HP Electric Motor
- 75mm Vacuum Gauge
- Non collapsible suction tubing
- 2 x 2.0 Ltrs. Polycarbonate jars with over flow safety
- Bacteria filter fitted on top

KP - 1071

Suction Apparatus (0.25 H.P)

Description:

- Ward care Suction Unit
- Powder Coated MS chassis
- Noise level of suction apparatus is 50 Db ±03 DB
- Electric requirement: 220 – 230VAC , 50Hz, 1 Phase
- Ideal for medical & surgical procedures
- Rotary Vane Vacuum Pump
- With -710 +/-10mmHg
- Free air displacement 30 – 35 Ltrs / min
- Heavy duty castors
- 180watt, 1440 RPM, 0.25 H.P. Electric Motor
- 63mm Vacuum Gauge
- Non collapsible PVC tubing
- 2 x 1.5 Ltrs. Polycarbonate jars with overflow safety
- Bacterial filter fitted on top



ABS Body (Optional)



KP - 812

Hand Suction

250ML Jar

KP - 1076

Suction Apparatus (1.0 H.P)

Description:

- Powder coated M.S. chassis with S.S. Top
- Noise level of suction apparatus is 50 Db +/-03 DB
- Electric requirement: 220–230V, 50Hz, 1Phase
- Ideal for MTP / medical / surgical procedures
- Rotary Vane Type Vacuum Pump with-740 +/-10mm Hg
- Free air displacement 120-125 ltrs / min
- Heavy duty castors, Non collapsible suction tubing
- 820 Watt, 1 HP Electric Motor
- 63mm dia Vacuum Gauge
- 2 x 4.0 Ltrs. Polycarbonate jars with over flow safety
- Bacteria filter fitted on top



KP - Univac II

Suction Apparatus (AC/DC)

Description:

4.3 kg in weight. Capacity 600mmHg+10Hg. Vacuum Free air displacement of 15-18 ltrs/min. Power operated on 220 VAC and 12V battery. Autoclavable 600ml polycarbonate collection jar. Float system provided in safety jar. Autoclavable bacterial filter. Oil free rocker piston pump. 90 minutes battery backup on full charge. Electronic filling level monitoring system with sensor.



KP - 983

Suction Apparatus (Mini)

Description:

Capacity 600mmHg ± 10mmHg at 15-18 LPM. Power operated on 220 VAC, 50Hz, 90W., 0-760 mm Hg. of Vacuum gauge. Autoclavable 1000ml polycarbonate collection jar. Float system provided in safety jar. Autoclavable bacterial filter. Oil free rocker piston pump. Complete ABS body.



KP - 9B

Suction Apparatus (Pedal)

Pedal suction apparatus mainly used in hospitals of levels for suction of blood, phlegm and other thick liquid.



KP - 970

Scrub Station (Floor mounted)



Description:

Scrub Station Floor Model, made of heavy duty Stainless Steel 304 grade designed for splash-free usage without touching directly with the handle.

Model :

KP-970A: One User, Sensor + Foot Operated
Size* - 850L x 600W x 1450H mm,

KP-970B: Two User, Sensor + Foot Operated
Size* - 1200L x 600W x 1450H mm

KP-970C: Three User, Sensor + Foot Operated
Size* - 1800L x 600W x 1450H mm

Optional Accessories :

- 3 Ltr Geyser
- Soap Dispenser
- Removable Tray
- Partition by acrylic sheet for 2/3 users.

KP - 969

Scrub Station (Wall mounted)



Description:

Scrub Station wall mounted, made of heavy duty Stainless Steel 304 grade designed for splash-free usage without touching directly with the handle.

Model:

KP-969A: One User, Elbow Operated, Size* - 850L x 540W x 870H mm

KP-969B: Two User, Elbow Operated, Size* - 1200L x 540W x 870H mm

KP - 813

Cidex Tray

Outer size: (LxWxH)

820x200x130mm

Inner size: (LxW)

690x140mm



KP - 2000

Postmortem Table



Description:

- Framework made of 40mm X 20mm X 1.60mm S.S. welded tubes secured to top and reinforced with 1.5mm thick S.S. 25mm X 12mm tubes.
- Top made of 1.20mm thick SS sheet.
- LEGS: Six no. of Legs and all legs made of 38mm X 38mm square 1.5 mm thick SS stainless steel pipe. All legs shall be provided with stainless steel bullet feet, having an integrally or adjusting bolts.
- Cross bracing: All legs cross bracing, where required are to be constructed of 25 x 25mm square 1.2 S.S. pipe. All cross bracing to run horizontal between all legs, approximately 150mm above floor.
- SINK: One no. polished SS fully coved integral, 16" X 16" X 6" Deep, with complete with 50mm dia waste and deck mounted faucet
- Overall Size* (Approx.) : 102"L x 30"W x 34"H

Ward/OPD/OT Equipments

KP - 807

Bio Medical Waste Bins (Foot Operated)

(Per Bin)
Available in Red / Blue / Black / Yellow / White Colors

Description:

Available in below capacity

- 20 Ltrs. Capacity
- 30 Ltrs. Capacity
- 80 Ltrs. Capacity with 2 pcs rear wheels
- 100 - 120 Ltrs. Capacity with 2 pcs rear wheels, without foot operated



KP - 808

Bio Medical Waste Bins (Foot Operated)

With SS Frame (Set of 4 Bins)

- Available in Red / Blue / Black / Yellow Colors
- 20 / 30 Ltrs. Capacity



KP - 801

Hub Cutter & Needle Destroyer



Also available with stand



Available sizes:
600ml, 800ml
1L, 1.5L, 3.5L, 5L, 6L

KP - 806

Needle & Syringe Destroyer



KP - 804

Needle Cutter (Manual)



KP - 803

Sharp Container/ Puncture Proof Box



Available sizes:	LxWxH cm
600ml	8.5x8.5x9cm
800ml	8.5x8.5x12cm
1L	11.1x11.1x10cm
1.5L	11.1x11.1x11.4cm
3.5L	21.5x17x10.5cm
5L	21.5x17x16cm
6L	21.5x17x19.5cm

Surgical Operating Tables



Surgical Operating Lights



Ask for detailed catalogue...

Modular OT Accessories

Surgical Pendant



Bed Head Panels



Peripheral Light



X-Ray Board



Wall & Ceiling Panels (SS / GI / Glass)



Wall Guard



Corner Guard



Sliding Door (Manual / Automatic)



Surgeon Control Panel



Air Handling Unit (AHU)



Hatch Box



Pressure Relief Dampers



Ask for detailed catalogue...

Your Reliable **OEM** Partner



WHY US

- In-house R&D, Manufacturing.
- Strong Regulatory Backbone.
- Shortest Development and Turnaround Time.
- Customized Offering as Per Requirement.
- Ethical Work Practice.



KRIPT PHARMACEUTICALS PVT. LTD. , INDIA

Branch 1: SCO-18/Behind Hotel Celestial Beats, Kurukshetra, Haryana-136118 (INDIA)

Branch 2: Sector-27/A, Plot No. 419, Pradhikaran, Nigdi, Pune, Maharashtra-411044 (INDIA)

Mail: info@kriptpharma.com, kriptpharma@gmail.com

Phone: +91 79885 22311, +91 85719 13753, +91 82954 93599

Website: www.kriptpharmaceuticals.com



For Website



For Medicines Catalogue



MADE IN INDIA

Authorized Distributors / Dealers

Disclaimer: Accessories and colour shown in the picture may not be part of standard configuration. Technical alterations reserved in view of our continuous improvements. Kript Pharmaceuticals Private Limited is the licensed user of the trademark "Kript" and the logo. Reproduction of this catalogue in any form is liable for legal action.

Edition 2024 | Hospital Furniture Catalogue | Version 3